

On-Demand Water Heater Installation Manual and Owner's Guide



ANSI Z21.10.3 • CSA 4.3



510C
model only

Models

- 110C
- 310C
- 510C



Gas Tankless Water Heater™

*Suitable for combination potable water heating
and space-heating.*

Please refer to local codes for space-heating compliance.

FEATURING

- ENDLESS HOT WATER
 - ON-DEMAND USAGE
 - COMPACT, SPACE SAVING
 - ENERGY CONSERVATION
 - COMPUTERIZED SAFETY
 - ELECTRONIC IGNITION
 - Complies with SCAQMD Rule 1146.2 for natural gas Low NOx Emissions of 14 ng/J or 20-ppm
 - CONCENTRIC VENT
 - FIELD GAS CONVERSION
 - EASY-LINK SYSTEM*
 - MULTI-UNIT SYSTEM*
- *(510C model only)*



WARNING

If the information in these instructions is not followed exactly, a fire or explosion may result causing property damage, personal injury or death.

- Do not store or use gasoline or other flammable vapors and liquids in the vicinity of this or any other appliance.
- WHAT TO DO IF YOU SMELL GAS
 - Do not try to light any appliance.
 - Do not touch any electric switch, do not use any phone in your building.
 - Immediately call your gas supplier from a neighbor's phone. Follow the gas supplier's instructions.
 - If you cannot reach your gas supplier, call the fire department.
- Installation and service must be performed by a qualified installer, service agency or the gas supplier.

If you have any questions, please
call or write to:

In the United States

500 Tennessee Waltz Parkway
Ashland City, TN 37015
Toll Free: 1-877-737-2840

In Canada

599 Hill Street West
Fergus, ON N1M 2X1
1-888-479-8324

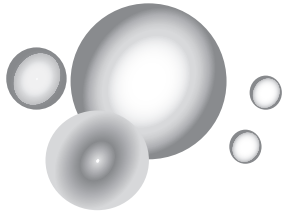
CONTENTS

Installation Manual

SPECIFICATIONS	4
INTRODUCTION	5
SAFETY GUIDELINES.....	6
INSTALLATION	7
General.....	7
Clearances.....	9
Included accessories.....	9
Optional items.....	9
Warning for installations.....	11
High-altitude installations.....	12
Venting instructions.....	13
Gas supply and gas pipe sizing.....	18
Water connections.....	20
Electrical connections.....	21
Temperature remote controller.....	22
Easy-Link System.....	24
Multi-Unit System.....	26
APPLICATIONS.....	27
INITIAL OPERATION.....	29

Owner's Guide

OPERATING SAFETY	31
NORMAL OPERATION	33
General.....	33
Temperature settings.....	34
Flow.....	37
Freeze protection system.....	37
Maintenance and service.....	38
Unit draining and filter cleaning.....	38
TROUBLESHOOTING.....	39
General.....	39
Error codes.....	41
COMPONENTS DIAGRAM.....	44
PARTS LIST.....	48
OUTPUT TEMPERATURE CHART.....	50
LIMITED WARRANTY.....	51



Installation Manual

CONGRATULATIONS

Congratulations and thank you for choosing our tankless water heater. Before use, we recommend that you read through this safety manual carefully. Please refer to the back of the manual for details about the warranty. Keep this manual for future reference.

If you lose the manual, contact the manufacturer or your local distributor or download from the manufacturer's website. When you call, please tell us the product name and the serial number of your unit written on the rating plate of the water heater.

SPECIFICATIONS

Model			110C	310C	510C
Natural Gas Input (Operating Range)	BTU/h		Min.: 15,000 Max.: 140,000	Min.: 15,000 Max.: 190,000	Min.: 15,000 Max.: 199,000
Gas Connection			3/4" NPT		
Water Connections			3/4" NPT		
Water Pressure*	psi (Mpa)		15 - 150 (0.1 - 1)		
Natural gas Inlet Pressure	" W.C. (kPa)		Min. 4.0 (1.00) Max. 10.5 (2.61)		
Weight	lbs. (kg)		51 (23)		
Dimensions	inch		H 20.5 x W 13.7 x D 10.5		
	mm		H 520 x W 350 x D 266		
Ignition			Electric Ignition		
Electric Consumption	Supply	VAC / Hz	120 / 60		
	Operation	W / A	53 / 0.58	71 / 0.81	72 / 0.85
	Standby	W / A	2 / 0.06	2 / 0.06	3 / 0.07
	Freeze- Protection	W / A	99 / 0.83	99 / 0.83	100 / 0.83

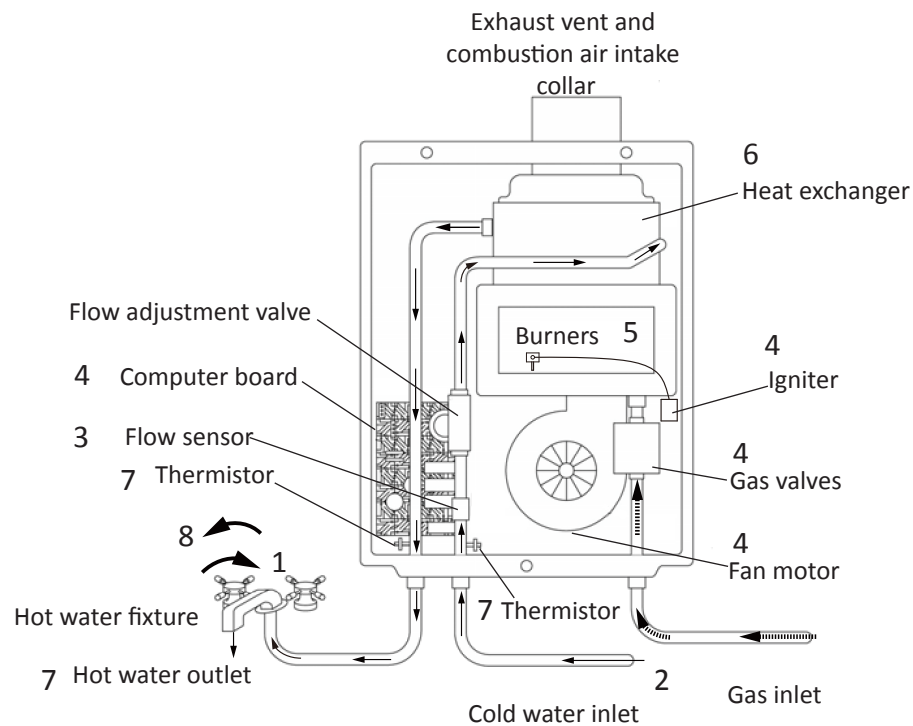
*Maximum flow may need water pressure equal to or above 40 psi.

NOTE:

- Check the rating plate to ensure this product matches your specifications.
- **The manufacturer reserves the right to discontinue, or change at any time, specifications or designs without notice and without incurring obligations.**

INTRODUCTION

- This manual provides information necessary for the installation, operation, and maintenance of the water heater.
- The model description is listed on the rating plate which is attached to the side panel of the water heater.
- Please read all installation instructions completely before installing this product.
- If you have any problems or questions regarding this equipment, consult the manufacturer or its local representative.
- This appliance is an on-demand, tankless water heater. It is designed to efficiently supply endless hot water for your needs.
- The 110C, 310C, and 510C models are only to be installed indoors with concentric venting.
- The principle behind tankless water heaters is simple:



*This diagram illustrates tankless water heater design concepts only and does not accurately represent the water heater's physical description.

1. A hot water fixture is turned on.
2. Water flows through the heater.
3. The water flow sensor detects the water flow.
4. The computer initiates the fan motor and gas valve to let gas flow through the heater and sends a signal to the igniter to create an ignition spark.
5. The gas ignites and flames appear within the burner chamber.
6. Water is heated as it flows through the heat exchanger.
7. Using thermistors to measure temperatures throughout the water heater, the computer modulates the gas and water valves to ensure proper output water temperature and hot water outflows.
8. When the fixture is turned off, the unit shuts down.

SAFETY GUIDELINES

SAFETY DEFINITION



Indicates an imminently hazardous situation which, if not avoided, will result in death or serious injury.



Indicates an imminently hazardous situation which, if not avoided, could result in death or serious injury.



Indicates an imminently hazardous situation which, if not avoided, could result in minor or moderate injury.

GENERAL

1. Follow all local codes, or in the absence of local codes, follow the current edition of the National Fuel Gas Code: ANSI Z223.1/NFPA 54 in the USA or B149.1, Natural Gas and propane installation code in Canada.
2. Properly ground the unit in accordance with all local codes or in the absence of local codes, with the current edition of the National Electrical Code: ANSI/NFPA 70 in the USA or CSA standard C22.1 Canadian Electrical Code Part 1 in Canada.
3. Carefully plan where you intend to install the water heater. Please ensure:
 - Your water heater will have enough combustion air and proper ventilation.
 - Locate your heater where water leakage will not damage surrounding areas. (Please refer to p. 8.)
4. Check the rating plate for the correct **GAS TYPE, GAS PRESSURE, WATER PRESSURE and ELECTRIC RATING**. If this unit does not match your requirements, **do not install and consult with the manufacturer**. The water heater is configured only for use with Natural Gas at the factory. If the appliance is used with propane gas, conversion to propane gas with an included conversion kit (**LP Conversion Kit: 319143-580**) is required. The conversion must be done by a qualified service agent or a gas utility serviceman in accordance with this instruction and all codes and requirements of the authority having jurisdiction. Failure to follow instructions could result in serious injury or property damage. The agent performing this work assumes responsibility for this conversion. (Refer to the gas conversion leaflet.)
5. If any problem should occur, turn off all hot water fixtures and turn off the gas. Then call a trained technician or the Gas Company or the manufacturer.



WARNING

- Water temperatures over 125 °F (52 °C) can cause severe burns instantly or death from scalding. The water temperature is set at 120 °F (50 °C) from the factory to minimize any scalding risk. Before bathing or showering always check the water temperature.
- Do not store or use gasoline or other flammables, vapors, or liquids in the vicinity of this appliance.
- Do not reverse the water and/or gas connections as this will damage the gas valves and can cause severe injury or death. Follow the diagram on p. 20 when installing your water heater.
- The conversion to propane must be done by a qualified service agent or a gas utility serviceman in accordance with this instruction and all codes and requirements of the authority having jurisdiction. Failure to follow instructions could result in serious injury or property damage. The qualified agent performing this work assumes responsibility for this conversion.
- Do not use this appliance if any part has been in contact with or been immersed in water. Immediately call a licensed plumber, a licensed gas fitter, or a professional service technician to inspect and/or service the unit if necessary.
- Do not disconnect the electrical supply if the ambient temperature will drop below freezing. The Freeze Protection System only works if the unit has electrical power. The warranty will not be covered if the heat exchanger is damaged due to freezing. Refer to the section on the Freeze Protection System on p. 37 for more information.

INSTALLATION

GENERAL

1. Follow all local codes, or in the absence of local codes, follow the current edition of the National Fuel Gas Code: ANSI Z223.1/NFPA 54 in the USA or B149.1, Natural Gas and propane installation code in Canada.
2. All gas water heaters require careful and correct installation to ensure safe and efficient operation. This manual must be followed exactly. Read the "Safety Guidelines" section.
3. The manifold gas pressure is preset at the factory. It is computer controlled and should not need adjustment.
4. Maintain proper space for servicing. Install the unit so that it can be connected or removed easily. Refer to the "Clearances" section on p. 9 for proper clearances.
5. The electrical connection requires a means of disconnection, to terminate power to the water heater for servicing and safety purposes.
6. Do not install the unit where the exhaust vent is pointing into any opening in a building or where the noise may disturb your neighbors. Make sure the vent termination meets the required distance by local code from any doorway or opening to prevent exhaust from entering a building. (Refer to p. 11, 16, and 17.)
7. Carefully plan the installation location of the heater and vent terminations. Particles from flour, aerosols, lint, and other contaminants may clog the air intake. This could reduce the operation of the fan causing improper combustion and reduced life of the water heater. Ensure that the area around the heater and vent termination is free of dust and debris. Regular maintenance is recommended in environments with these items in the air.
8. For the 110C, 310C, and 510C models: A condensate collector and trap (100266140 & 100266139) are required to be installed in the venting system when there is more than 8 ft. (2.4 m) of equivalent vent length, not including the sidewall termination. 87° elbow is equivalent to 5 ft. (1.5 m) of vent length. The condensate collector must be installed on the heater's flue. The condensate trap and collector are required on all vertical installations.
9. Only install the water heater in a heated area where below freezing temperatures cannot occur.



WARNING


- Installation and service must be performed by a qualified installer (for example, a licensed plumber or gas fitter). Otherwise, the warranty will be void.
- The installer (licensed professional) is responsible for the correct installation of the water heater and for compliance with all national, state / provincial, and local codes.
- The manufacturer does not recommend installing the water heater in a pit or location where gas and water can accumulate.
- Do not have the vent terminal pointing toward any operating window, door, or opening into a building.
- Do not install next to any source of airborne debris, such as a clothes dryer, that can cause debris to be trapped inside the unit cabinet.
- **The manufacturer does not suggest installing the water heater in an attic due to safety issues.** If you install the water heater in an attic:
 - Make sure the unit will have proper ventilation.
 - Keep the area around the water heater and its termination clean. When dust collects on the flame sensor, the water heater will shut down and produce an error code.
 - Place the unit for easy access for service and maintenance.
 - A drain pan, or other means of protection against water damage, is recommended to be installed under the water heater in case of leaks. The manufacturer is not responsible for damage due to water leak.
 - The water heater must be securely mounted to a wall or other suitable structure.

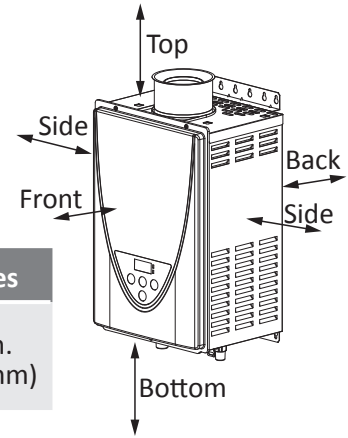


CAUTION

- **The warranty will not cover damage caused by water quality.**
 - Only potable water can be used with this water heater. Do not introduce pool or spa water, or any chemically treated water into the water heater.
 - Water hardness levels must not exceed 7 grains per gallon (120 ppm) for single family domestic applications or more than 4 grains per gallon (70 ppm) for all other types of applications. Water hardness leads to scale formation and may affect / damage the water heater. Hard water scaling must be avoided or controlled by proper water treatment.
 - Water pH levels must be between 6.5 and 8.5.
 - Well water must be treated.
- Do not install the unit where water, debris, or flammable vapors may get into the flue terminal.
- Although the water heater is designed to operate with minimal sound, **the manufacturer does not recommend installing the unit on a wall adjacent to a bedroom, or a room that is intended for quiet study or meditation, etc.**
- Locate your heater close to a drain where water leakage will not do damage to surrounding areas. As with any water heating appliance, the potential for leakage at some time in the life of the product does exist. The manufacturer will not be responsible for any water damage that may occur. If you install a drain pan under the unit, ensure that it will not restrict the combustion air flow.

CLEARANCES

 Maintain all clearances around the water heater.



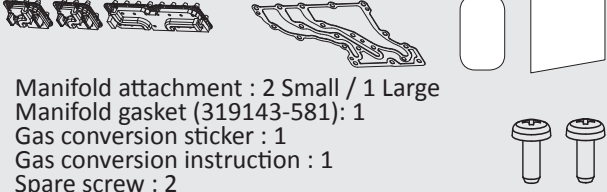


Model	Top	Bottom	Front	Back	Sides
110C 310C 510C	12 in. (305 mm)	12 in. (305 mm)	4 in.* (102 mm)	1 in. (25 mm)	3 in. (76 mm)

*24 inches (610 mm) recommended for maintenance.

INCLUDED ACCESSORIES

Check that these items below are included with the water heater.

Installation manual and Owner's guide	Communication cable 510C model only	LP Conversion Kit (319143-580)
 Qty: 1	(320273-585)  Qty: 1	(319143-581)  Manifold attachment : 2 Small / 1 Large Manifold gasket (319143-581): 1 Gas conversion sticker : 1 Gas conversion instruction : 1 Spare screw : 2

OPTIONAL ITEMS

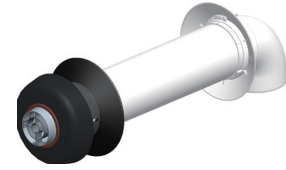
#	Model	110C	310C	510C
1.	Condensate collector (100266140) and trap (100266139)	✓	✓	✓
2.	Concentric Sidewall Termination Kit	✓	✓	✓
3.	Concentric Roof Termination	✓	✓	✓
4.	Elbow	✓	✓	✓
5.	Straight Pipe	✓	✓	✓
6.	Roof Flashing	✓	✓	✓
7.	Pipe Hanger	✓	✓	✓
8.	Remote controller (9009069005)	✓	✓	✓

1. Condensate Collector and Trap



2. Concentric Sidewall Termination Kit

11 1/2" (292mm)
(100266115)
21" (533 mm)
(100266117)



It includes: One Sidewall Termination, One 87° Elbow,
Two Wall Plates.

3. Concentric Roof Termination



38" (965 mm) Roof Termination
(100266118)

4. Elbow

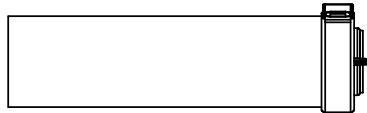


45° Elbow
(100266119)



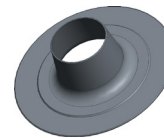
87° Elbow
(100266132)

5. Straight Pipe



10" (254 mm) Straight Pipe : (100266133)
19.5" (495 mm) Straight Pipe : (100266134)
39" (991 mm) Straight Pipe : (100266135)

6. Roof Flashing



Flatroof Flashing
(100266187)



Tile / Shingle Roof Flashing
1/12 to 6/12 Pitch (100266136)
8/12 to 16/12 Pitch (100266137)
6/12 to 12/12 Pitch (100266138)

7. Pipe Hanger (100266141)



**8. Remote controller
9009069005 (TM-RE42)**



This remote can be added to the
heater, in addition to the built-in
controller.

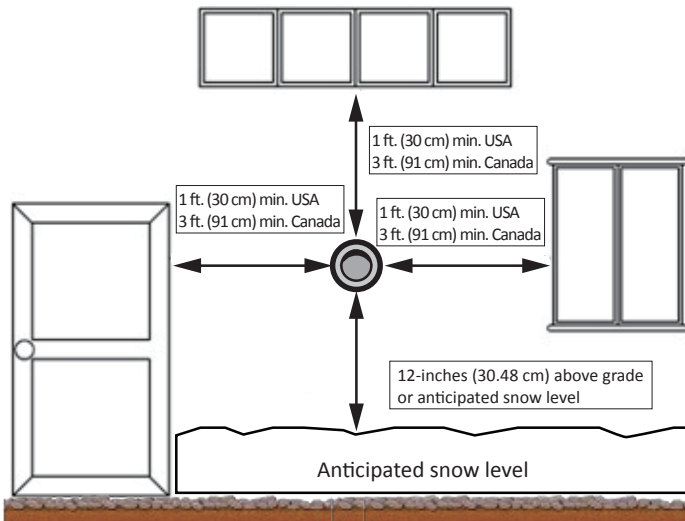
WARNING FOR INSTALLATIONS

FOR YOUR SAFETY, READ BEFORE INSTALLATION:



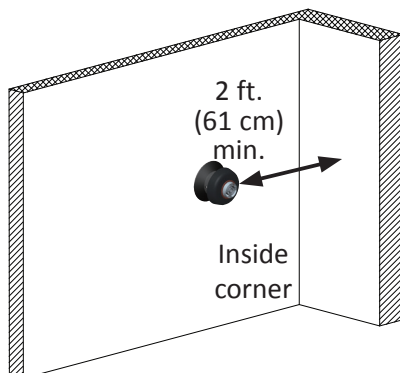
Prohibited

- Do not install the water heater and its termination where water, debris or flammable vapors may get into the water heater and flue terminal. This may cause damage to the heater and void the warranty.
- Do not have the vent terminal pointing toward any opening into a building.
- Do not locate your heater in a pit or location where gas and water can accumulate.

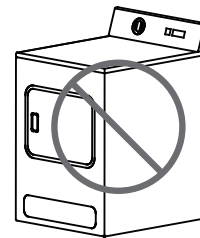


Do not install the water heater vent terminator within 1 ft. (30 cm) in the USA of any air intake or building opening, and within 3 ft. (91 cm) in Canada of any air intake or building opening.

Water heater vent terminator must be at least 2 ft. (61 cm) away from an inside corner.



Do not install the water heater or vent termination next to a dryer or dryer vent. The water heater environment must be free from any source of airborne debris that can be trapped inside the water heater.



HIGH-ALTITUDE INSTALLATIONS

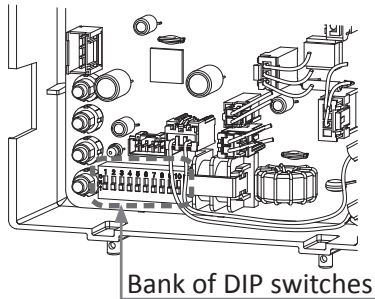
Check the altitude where your water heater is installed. Set DIP switches shown in the table below. The DIP switch settings depend on the altitude.



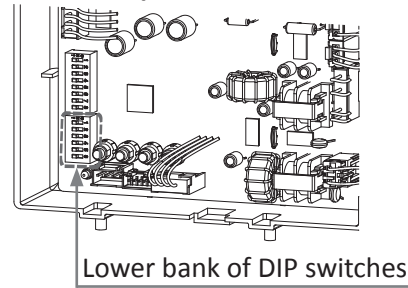
WARNING

- The black squares indicate the positions of the DIP switches for high altitude installation.
The 110C and 310C : Only adjust DIP switch No. 3, No. 4, and No.5.
The 510C : Only adjust DIP switch No. 2, No. 3, and No. 4 on the lower bank.
- DO NOT adjust the other DIP switches for high altitude installation.

**110C and 310C models
Computer board**



**510C model
Computer board**




Installation altitude

The maximum certified or allowable installed altitude is 10,100 ft. (3,078 m) for 110C, 310C, and 510C models.

Altitude Model	0 to 2,000 ft. (0 to 609 m) DEFAULT	2,001 ft. to 3,000 ft. (610 m to 914 m)	3,001 ft. to 5,000 ft. (915 m to 1,524 m)	5,001 ft. to 7,500 ft. (1,525 m to 2,286 m)	7,501 ft. to 10,100 ft. (2,287 m to 3,078 m)
110C and 310C models	<p>No. 3 : OFF No. 4 : OFF No. 5 : OFF</p>	<p>No. 3 : OFF No. 4 : ON No. 5 : OFF</p>	<p>No. 3 : OFF No. 4 : OFF No. 5 : ON</p>	<p>No. 3 : OFF No. 4 : ON No. 5 : ON</p>	<p>No. 3 : ON No. 4 : ON No. 5 : ON</p>
510C model (Lower bank of DIP switches)	<p>No. 2 : OFF No. 3 : OFF No. 4 : OFF</p>	<p>No. 2 : OFF No. 3 : ON No. 4 : OFF</p>	<p>No. 2 : OFF No. 3 : OFF No. 4 : ON</p>	<p>No. 2 : OFF No. 3 : ON No. 4 : ON</p>	<p>No. 2 : ON No. 3 : ON No. 4 : ON</p>


VENTING INSTRUCTIONS

-General-



DANGER

- Improper venting of this appliance can result in excessive levels of carbon monoxide which can result in severe personal injury or death.
- Improper installation can cause nausea or asphyxiation, severe injury or death from carbon monoxide and flue gases poisoning. Improper installation will void product warranty.



CAUTION

When installing the vent system, all applicable national and local codes must be followed. If you install thimbles, fire stops or other protective devices and they penetrate any combustible or noncombustible construction, be sure to follow all applicable national and local codes.

The water heater must be vented in accordance with the section "Venting of Equipment" of the current edition of the National Fuel Gas Code: ANSI Z223.1/NFPA 54 in the United States and/or Section 8 of the current B149.1 Natural Gas, propane installation code in Canada, as well as applicable local building codes. The water heater is designed for a concentric venting system, which uses one pipe system with two ducts for combustion air and exhaust air. **The manufacturer approves the use of Centrotherm Eco Systems Direct Vent APNC35 venting systems on new installations. This system is furnished through the heater manufacturer. See the table below for certified vent terminations.**

General rules for venting water heaters:

- Place the water heater as close as possible to the vent termination.
- Do not weld the vent pipe to the water heater's vent collar.
- Do not cut the vent collar of the unit.
- The vent must be easily removable from the top of the water heater for normal service and inspection of the unit and vent system.
- The water heater vent must not be connected to any other gas appliance or vent stack.
- Avoid using an oversized vent pipe or using extremely long runs of the pipe.
- Do not common vent or connect any vent from other appliances to the water heater vent.
- The vent should slope towards the heater and condensate collector (100266140). The condensate trap (100266139) must be installed below the condensate collector's drain nipple to keep condensate from draining back into the heater's exhaust and causing damage. Condensate is corrosive and should be treated and disposed of according to local codes.

General rules for vent terminations:

- Avoid locating the water heater vent termination near **any air intake devices**. These fans can pick up the exhaust flue products from the water heater and return them to the building. This can create a health hazard.
- Locate the vent termination so that it cannot be blocked by any debris, at any time. Most codes require that the termination must be at least 12 in. (305 mm) above grade and anticipated snow line, but the installer may determine if it should be higher depending on the job site condition and applicable codes.
- A proper sidewall termination is required when the water heater is vented through a sidewall.
- Regarding the clearances from the exhaust termination to the air inlet or opening, refer to p 11, 16, and 17.

Use	Vent Brand	Description	Model Number
New Installation (New Venting)	Centrotherm Eco Systems Direct Vent APNC35	11-1/2" Concentric, Sidewall Termination Kit	100266115
		21" Concentric, Sidewall Termination Kit	100266117
		38" Roof Termination	100266118

-Vent length and No. of Elbows-

This is a Category III appliance and must be vented accordingly. For best results, a vent system should be as short and straight as possible.

- This water heater is a Category III appliance and must be vented accordingly with concentric vent approved for use with Category III or Special BH type gas vent.
- **Follow the vent pipe manufacturer's instructions and the instructions in this manual when installing the vent pipe.**
- **Do not common vent this appliance with any other vented appliance.** (Do not terminate vent inside a chimney. If the vent must go through the chimney, it must run through the top of the chimney and terminate with the roof termination listed on page 10. Install per the vent manufacturer's instructions.)
- When the horizontal vent run exceeds 5 ft. (1.5 m), support the vent run at 3 ft. (0.9 m) intervals with overhead hangers.
- The maximum length of exhaust vent piping must not exceed 43 ft. (13.1 m) (deducting 5 ft. (1.5 m) for each 87° elbow used in the venting system). Do not use more than 4 pieces of 87° elbows.

Vent type	Diameter	Max. No. of 87° Elbows	Max. Vertical and Horizontal (Total) Vent Length	No. of 87° Elbows	Max. Vertical or Horizontal Vent Length
Concentric	3 in. / 5 in. (80 mm / 125 mm)	4	43 ft. (13.1 m)	0	43 ft. (13.1 m)
				1	38 ft. (11.6 m)
				2	33 ft. (10.1 m)
				3	28 ft. (8.5 m)
				4	23 ft. (7.0 m)

For each 87° elbow added, deduct 5 ft. (1.5m) from max. vent length. Two 45° elbows are equivalent to one 87° elbow.

Excludes the Concentric termination

-DIP switch settings for Vent length-

Vent length Model	0 to 10 ft. (0 to 3 m) DEFAULT	11 to 20 ft. (3.1 to 6.1 m)	21 to 30 ft. (6.2 to 9.1 m)	31 to 43 ft. (9.2 to 13.1 m)
110C and 310C models	ON: 1 2 3 4 5 6 7 8 9 10 OFF: [Diagram showing switches 6, 7, 8 in OFF position]	ON: 1 2 3 4 5 6 7 8 9 10 OFF: [Diagram showing switches 6, 7, 8 in ON position]	ON: 1 2 3 4 5 6 7 8 9 10 OFF: [Diagram showing switches 6, 7, 8 in OFF position]	ON: 1 2 3 4 5 6 7 8 9 10 OFF: [Diagram showing switches 6, 7, 8 in ON position]
	No. 6 : OFF No. 7 : OFF No. 8 : ON	No. 6 : ON No. 7 : OFF No. 8 : ON	No. 6 : OFF No. 7 : ON No. 8 : ON	No. 6 : ON No. 7 : ON No. 8 : ON
510C model (Upper bank of DIP switches)	ON: 1 2 3 4 5 6 7 8 OFF: [Diagram showing switches 3, 4, 5 in OFF position]	ON: 1 2 3 4 5 6 7 8 OFF: [Diagram showing switches 3, 4, 5 in ON position]	ON: 1 2 3 4 5 6 7 8 OFF: [Diagram showing switches 3, 4, 5 in OFF position]	ON: 1 2 3 4 5 6 7 8 OFF: [Diagram showing switches 3, 4, 5 in ON position]
	No. 3 : OFF No. 4 : OFF No. 5 : ON	No. 3 : ON No. 4 : OFF No. 5 : ON	No. 3 : OFF No. 4 : ON No. 5 : ON	No. 3 : ON No. 4 : ON No. 5 : ON

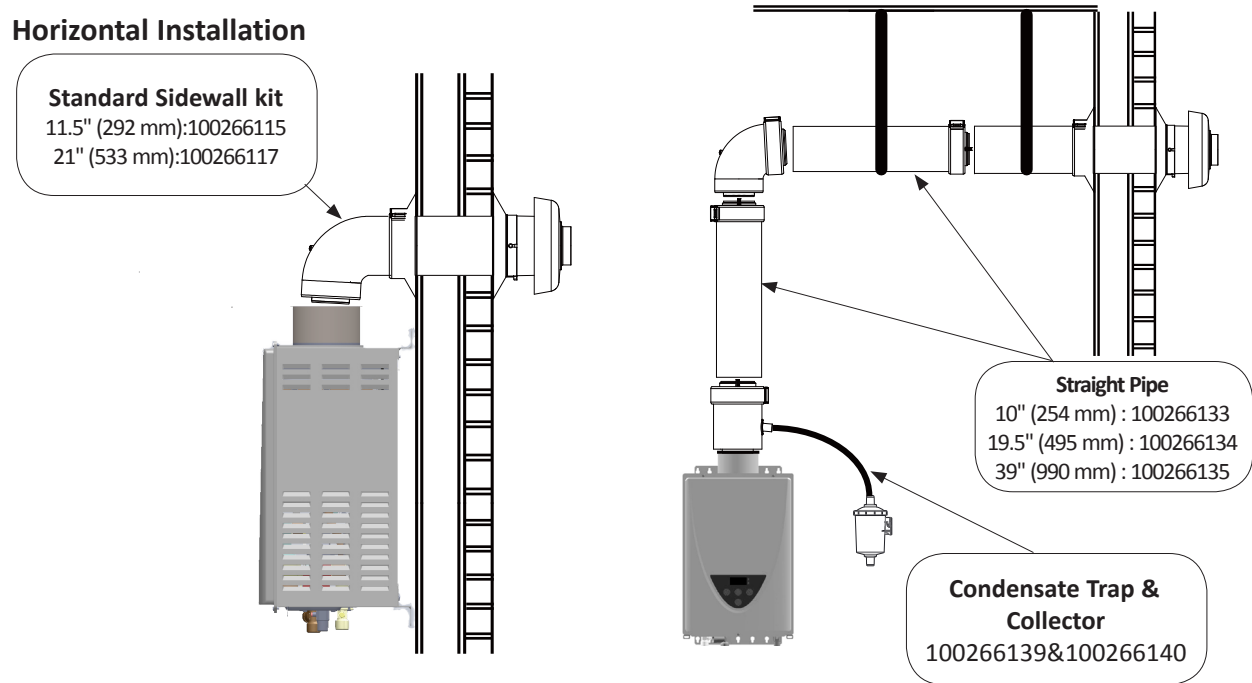


- The black squares indicate the positions of the DIP switches for vent length.
For the 110C and 310C : Only adjust DIP switch No. 6 , No. 7, and No. 8.
For the 510C : Only adjust DIP switch No. 3, No. 4, and No. 5 on the upper bank.
- **DO NOT** adjust the other DIP switches for vent length.

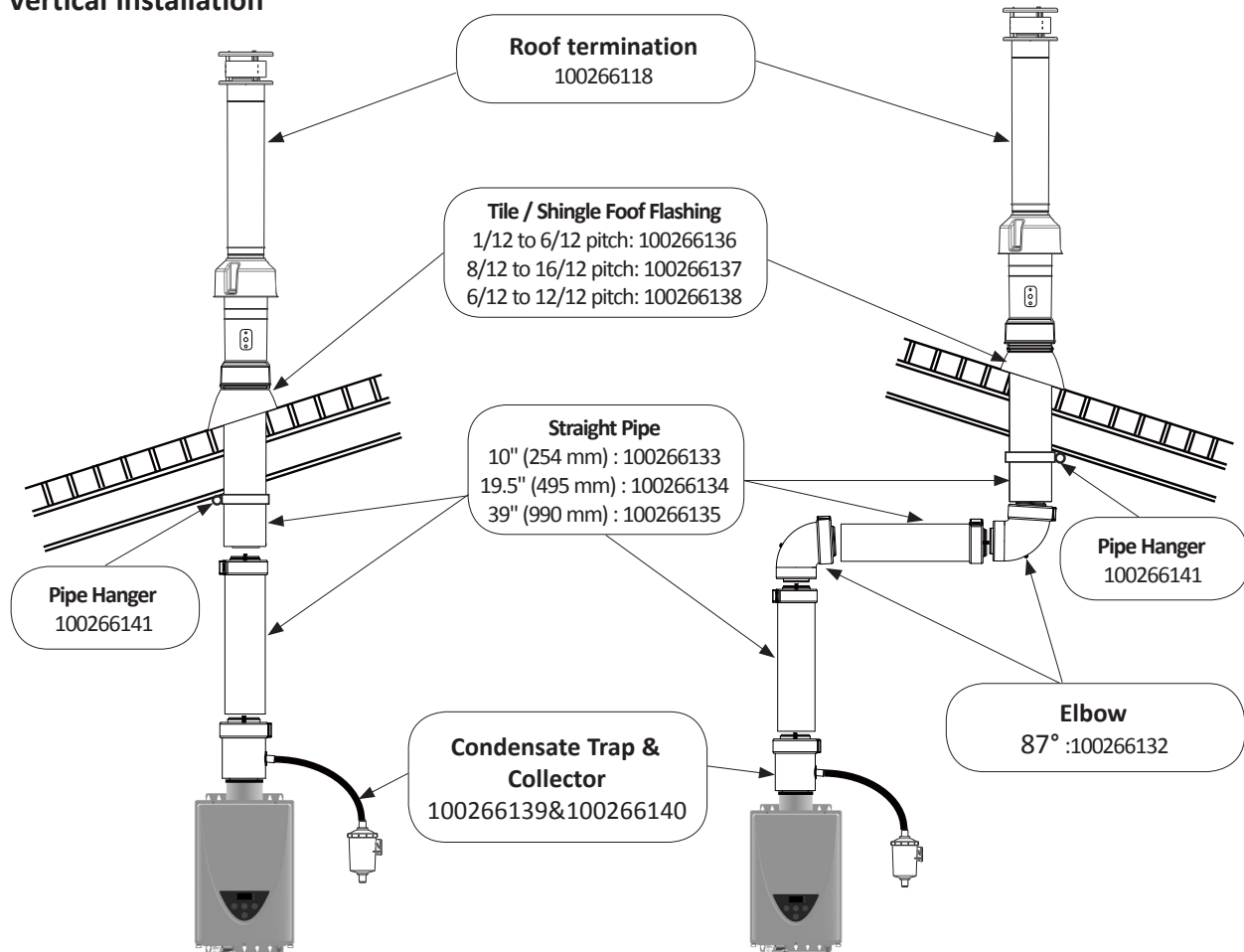
Venting Illustrations- For the 110C, 310C and 510C models

For details of the venting installation, refer to the Centrotherm Eco Systems Direct Vent APNC35 concentric venting installation manuals.

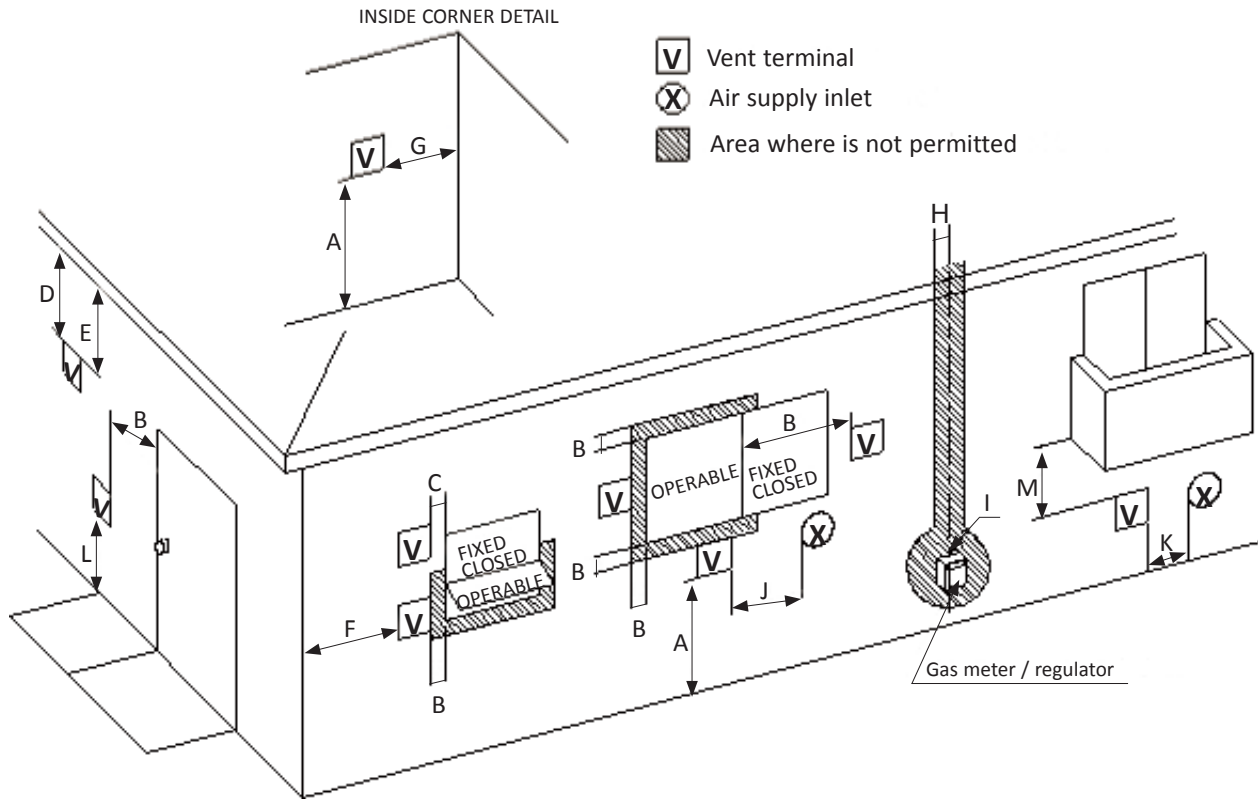
Horizontal Installation



Vertical Installation



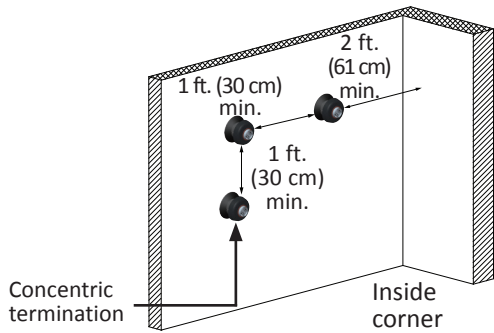
-Vent termination clearances-



		Canada	U.S.A
		Direct-vent	Direct- vent
A	Clearance above grade, veranda, porch, deck, or balcony	1 foot (30 cm)	1 foot (30 cm)
B	Clearance to window or door that may be opened	3 feet (91 cm)	1 foot (30 cm)
C	Clearance to permanently closed window	*	*
D	Vertical clearance to ventilated soffit located above the vent terminator within a horizontal distance of 2 feet (61cm) from the center line of the terminator	*	*
E	Clearance to unventilated soffit	*	*
F	Clearance to outside corner	*	*
G	Clearance to inside corner	2 feet (61 cm)	2 feet (61 cm)
H	Clearance to each side of center line extended above meter/regulator assembly	3 feet (91 cm)	*
I	Clearance to service regulator vent outlet	3 feet (91 cm)	*
J	Clearance to non-mechanical air supply inlet to building or the combustion air inlet to any other application	3 feet (91 cm)	1 foot (30 cm)
K	Clearance to mechanical air supply inlet.	6 feet (1.83 m)	3 feet (91 cm)
L	Clearance above paved sidewalk or paved driveway located on public property	7 feet (2.13 m)	*
M	Clearance under veranda, porch deck, or balcony	1 foot (30 cm)	*

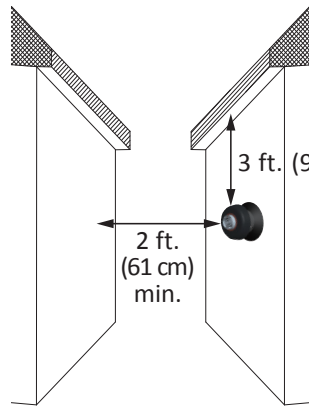
*Use clearances in accordance with local installation codes and the requirements of the gas supplier.

-For sidewall terminations-



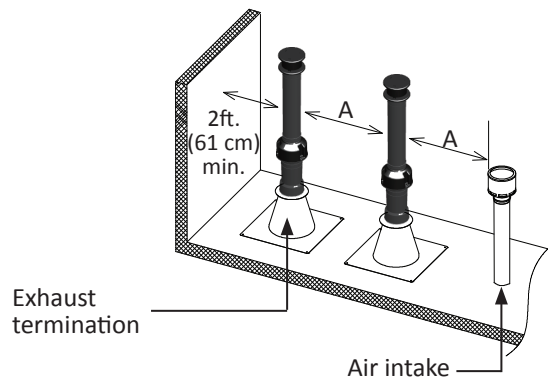
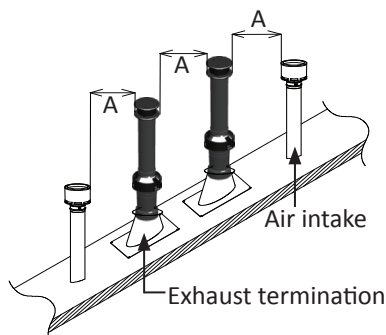
For multiple-unit, concentric wall terminals space each concentric wall terminal at least 1 ft. (30 cm) away from each other, no matter the orientation. A concentric wall terminal must also be at least 2 ft. (61 cm) away from an inside corner. (If the adjacent wall is less than 2 ft. (61 cm) of length, the minimum required distance away from the inside corner will be equal to the length of that adjacent wall.)

Concentric wall terminals should be at least 2 ft. (61 cm) away from an opposite surface/wall. Do not place the termination directly in front of an opening into a building.



Concentric wall terminals should be at least 3 ft. (91 cm) away from a ventilated or unventilated soffit.

-For rooftop terminations-



A: In accordance with local codes

For multiple-unit rooftop terminations, space all exhaust and intake terminations in accordance with local codes. An exhaust termination must be spaced from a wall or surface in accordance with local codes as well. In the absence of such a code, an exhaust termination must be a horizontal distance of at least 2 ft. (61 cm) away from a wall or surface.



Please follow all local and national codes in regards to proper termination clearances. In the absence of such codes, the above clearances can be used as guidelines. Local codes supersede these guidelines EXCEPT in cases where they are less restrictive. In such cases, the minimum clearances listed in this manual must be maintained.

GAS SUPPLY AND GAS PIPE SIZING

-General-



WARNING

- Do not use this water heater with any gas other than the one listed on the rating plate unless the water heater has been properly converted.
- Ensure that any and all gas regulators used are operating properly and providing gas pressures within the specified range shown below. Excess gas inlet pressure may cause serious accidents.
- If your water heater needs a gas conversion, refer to the instructions supplied with the heater and included with the conversion components.

- The minimum and maximum inlet gas pressures

Gas type	Inlet gas pressure
Natural Gas	Min. 4.0" W.C. (1.00 kPa) – Max. 10.5" W.C. (2.61 kPa)
Propane	Min. 8.0" W.C. (1.99 kPa) – Max. 14.0" W.C. (3.48 kPa)

- Inlet gas pressures that fall outside the range of values listed above may adversely affect the performance of the water heater. These pressures are measured when the water heater is in full operation.
- Inlet gas pressure must not exceed the above maximum values; gas pressure above the specified range will cause dangerous operating conditions and damage to the unit.
- Until testing of the main gas line supply pressure is completed, ensure the gas line to the water heater is disconnected to avoid any damage to the water heater.
- If the gas supply pressure to the heater is greater than the specified maximum, a field-supplied regulator is required. The regulator must lower the gas pressure within the approved range.
 - Install the gas regulator according to the manufacturer's instructions.
 - The regulator must be sized for the water heater input and provide the specified pressures that are listed on the rating plate.
 - In the absence of minimum install distance, it is recommended that the gas regulator be installed no closer than 3 ft. (1 m) from the water heater's inlet gas connection.

-Gas connections-

1. Install a full port, manual gas shutoff valve between the water heater and the gas supply line.
2. When the gas connections are completed, it is necessary to perform a gas leak test either by applying soapy water to all gas fittings and observing for bubbles or by using a gas leak detection device.
 - The water heater and its individual shutoff valve must be disconnected from the gas supply piping system during any pressure testing of that system at test pressures in excess of 1/2 psi (3.5 kPa).
 - The water heater must be isolated from the gas supply piping system by closing its individual manual shutoff valve during any pressure testing of the gas supply piping system at test pressures equal to or less than 1/2 psi (3.5 kPa).
3. Always purge the gas line of any debris and/or water before connecting to the gas inlet.

NOTICE

Size the gas pipe to supply the necessary volume of gas for the water heater. Refer to and follow the requirements listed in the current edition of ANSI Z223.1/NFPA 54 (USA), B149.1 (Canada), or local codes. Otherwise, flow capabilities and output temperatures will be limited.

-Natural Gas Supply Piping-

Maximum delivery Capacity of Cubic Feet of Gas per Hour of IPS Pipe carrying Natural Gas with 0.60 Specific Gravity Based on Pressure Drop of 0.5" W.C.

Based on Energy Content of 1,000 BTU/Cubic ft.: The water heater requires 140 Cubic ft./hr for the 110C, 190 Cubic ft./hr for 310C, and 199 Cubic ft./hr for the 510C model.

Unit: Cubic feet per hour

Pipe Size	Length: ft. (m)												
Diameter: in.	10' (3.0)	20' (6.1)	30' (9.1)	40' (12.2)	50' (15.2)	60' (18.3)	70' (21.3)	80' (24.4)	90' (27.4)	100' (30.5)	125' (38.1)	150' (45.7)	200' (61.0)
1/2"	172	118	95	81	72	65	60	56	52	50	44	40	34
3/4"	360	247	199	170	151	137	126	117	110	104	92	83	71
1"	678	466	374	320	284	257	237	220	207	195	173	157	134
1 1/4"	1,309	957	768	657	583	528	486	452	424	400	355	322	275
1 1/2"	2,090	1,430	1,150	985	873	791	728	677	635	600	532	482	412
2"	4,020	2,760	2,220	1,900	1,680	1,520	1,400	1,300	1,220	1,160	1,020	928	794

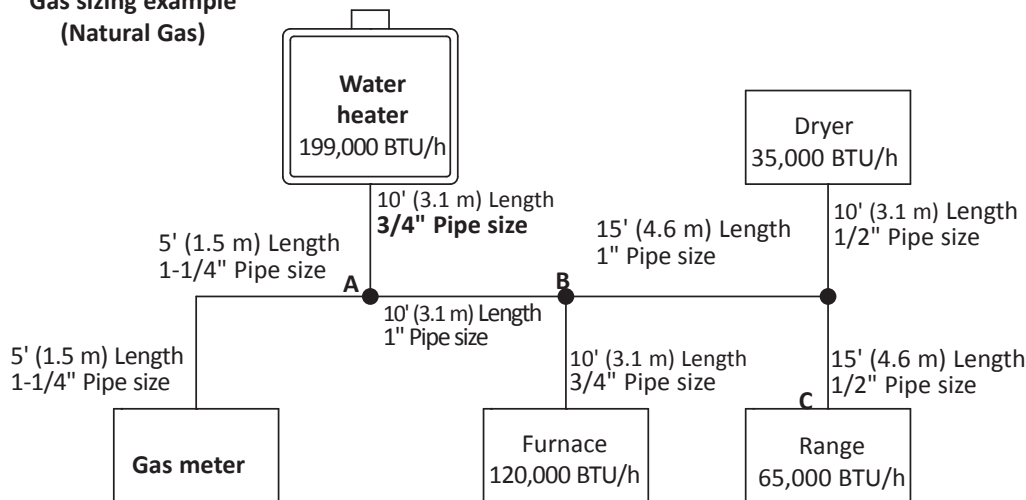
-Propane (LP) Supply Piping-

Maximum Capacity of Propane (LP) Based on 11" W.C. supply pressure at a 0.5" W.C. pressure drop

Unit: kBtu per hour

Pipe Size	Length: ft. (m)												
Diameter	10' (3.0)	20' (6.1)	30' (9.1)	40' (12.2)	50' (15.2)	60' (18.3)	70' (21.3)	80' (24.4)	90' (27.4)	100' (30.5)	125' (38.1)	150' (45.7)	200' (61.0)
1/2"	268	184	148	126	112	101	93	87	82	77	68	62	53
3/4"	567	393	315	267	237	217	196	185	173	162	146	132	112
1"	1,071	732	590	504	448	409	378	346	322	307	275	252	213
1 1/4"	2,205	1,496	1,212	1,039	913	834	771	724	677	630	567	511	440
1 1/2"	3,307	2,299	1,858	1,559	1,417	1,275	1,181	1,086	1,023	976	866	787	675
2"	6,221	4,331	3,465	2,992	2,646	2,394	2,205	2,047	1,921	1,811	1,606	1,496	1,260

Gas sizing example (Natural Gas)



Based on Energy Content of 1,000 BTU/Cubic ft:

Divide each appliance's BTU/h requirement by 1,000 BTU/ft³ to get the appliances ft³/h requirement.

Take into account the distance the appliance is from the gas meter, then look in the above gas chart to properly size the line.

For sections of the

gas line supplying gas to more than one appliance (Ex: Point A to Point B), add up the cubic ft. per hour requirements of the appliances that are being supplied by that section, and size to the farthest appliance.

For Example: The section from A to B supplies gas to the furnace, range and dryer. Adding up the BTU/h requirements and dividing by 1,000 yields a cubic ft. per hour requirement of 220 cubic ft. of gas per hour. The farthest appliance is the range, which is 50 ft. (15.2 m) away from the meter. According to the chart above, the 50-ft. (15.2 m) column shows that Section A to B must be 1" in order to supply 220 cubic ft per hour.

-Measuring inlet gas pressure-

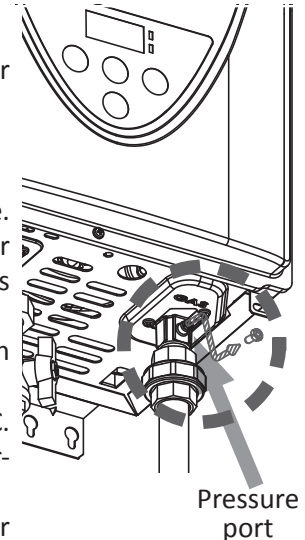


WARNING

1. Turn off all electric power to the water heater if service is to be performed.
2. Turn the manual gas valve located on the outside of the unit clockwise to the off position.

The water heater cannot perform properly without sufficient inlet gas pressure. Below are instructions on how to check the inlet gas pressure. **THIS IS ONLY TO BE DONE BY A LICENSED PROFESSIONAL.**

1. Shut off the manual gas valve on the gas supply line.
2. Remove the screw for the pressure port located on the gas inlet of the water heater shown in the diagram on the right.
3. Connect the manometer to the pressure port.
4. Re-open the manual gas valve. Verify that there are not any gas leaks.
5. With all gas burning equipment off, take a reading of the static gas pressure.
6. Measure gas supply pressure at maximum heater operation: Open up water faucets to create maximum flow. Take a reading of the supply dynamic gas pressure with all gas burning equipment running at maximum rate.
7. The static and dynamic pressures should be within the ranges specified on the heater's rating plate and the table on page 18.
8. The difference of static to dynamic pressure should not exceed 1.5" W.C. Pressure drops that exceed 1.5" W.C. can indicate restricted gas flow, undersized gas lines, and/or undersized supply regulators.
9. Measure gas supply pressure at minimum heater operation: Reduce water flow so the heater is running at minimal operation. Take a supply gas pressure reading and verify that it is within the specified inlet gas pressure range.



WATER CONNECTIONS

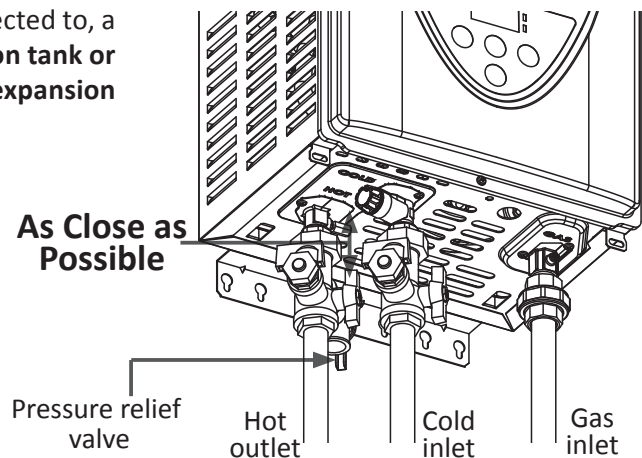


WARNING

- Do not use this appliance if any part has been under water. Immediately contact a qualified installer or service agency to replace a flooded water heater. Do not attempt to repair the unit! It must be replaced!

All pipes, pipe fittings, valves and other components, including soldering materials, must be suitable for potable water systems.

1. A manual shutoff valve must be installed on the cold water inlet to the water heater between the main water supply line and the water heater.
2. In addition, a **manual shutoff valve** is also recommended on the hot water outlet of the unit. **Isolation valves** are available.
3. If the water heater is installed within, or subjected to, a closed loop water system, a **thermal expansion tank or a code approved device to handle thermal expansion** must be installed.
4. Before installing the water heater, flush the water line to remove all debris, and after installation is complete, purge the air from the line. Failure to do so may cause damage to the water heater.
5. There is a wire mesh filter within the cold inlet to trap debris from entering your heater. This will need to be cleaned periodically to maintain optimum flow. (Refer to p. 38.)



-Pressure relief valve-

The water heater has a high-temperature shutoff switch built in as a standard safety feature (called a Hi-Limit switch). Therefore, a “**pressure only**” relief valve is required.

- This unit does not come with an approved pressure relief valve.
- An approved pressure relief valve must be installed on the hot water outlet.
- The pressure relief valve must conform to the current edition of **ANSI Z21.22** or **CAN 1-4.4** and installation must follow local codes.
- The discharge capacity must be at least 140,000 BTU/h for the 110C model, 190,000 BTU/h for the 310C model, and 199,000 BTU/h for the 510C model.
- The pressure relief valve must be rated for a maximum of 150 psi (1 MPa).
- The discharge piping for the pressure relief valve must be directed so that the hot water cannot splash on anyone or on nearby equipment.
- Attach the discharge tube to the pressure relief valve and run the end of the tube to within 6 in. (152 mm) from the floor. This discharge tube must allow free and complete drainage without any restrictions.
- If the pressure relief valve installed on the water heater discharges periodically, this may be due to a defective thermal expansion tank or defective pressure relief valve.
- The pressure relief valve must be manually operated periodically to check for correct operation. **WARNING! Hot water will be released. Before operating the pressure relief valve manually, check that it will discharge in a safe place. If water does not flow freely from the end of the discharge pipe, turn the power to the water heater OFF. Call a qualified person to determine the cause.**
- No valve must be placed between the relief valve and the water heater.

ELECTRICAL CONNECTIONS

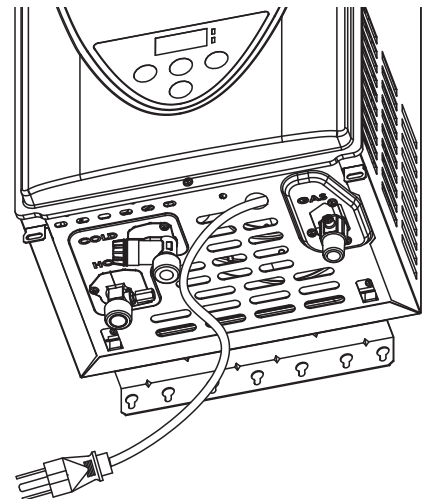


WARNING

- Follow the electrical code requirements of the local authority having jurisdiction. In the absence of such requirements, follow the current edition of the National Electrical Code ANSI/NFPA 70 in the U.S. or the current edition of CSA C22.1 Canadian Electrical Code Part 1 in Canada.
- When servicing or replacing parts within the water heater, label all wires prior to disconnection to facilitate an easy and error-free reconnection. Wiring errors can cause improper and dangerous operation. Verify proper operation after servicing.
- Failure to observe these warnings could result in personal injury or loss of life.

All concentric vent models come with a power plug.


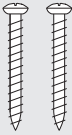

1. The water heater requires **120 VAC, 60 Hz electrical power supply that is properly grounded.**
 - A proper disconnect (i.e. on/off switch, power plug, etc.) controlling the main power to the water heater must be provided for service reasons. (Must comply with local codes.)
2. The use of a surge protector is recommended in order to protect the unit from power surges.



TEMPERATURE REMOTE CONTROLLER

-Optional item-

Verify that the items listed below are included with the remote controller.

Temperature remote controller*	Screws	Manual
 Qty: 1	 Qty: 2	 Qty: 1

*9009069005 (TM-RE42)

-INSTALLATION-



This remote controller is NOT waterproof.

The water heater can only have one remote controller.

Do not install in high temperature environments, high humidity conditions outdoors, in direct sunlight, or within the reach of children.

Make sure the remote controller does not come into contact with water or oil.

- Do not place the remote control wiring close to other wires from other products.
- Do not extend the remote control wiring more than 400 ft. (122 m.)

<Mounting and wiring the remote controller>

1. Take off the “**Back plate**” from the remote controller with a flat head screwdriver. **(Fig. A and B)**
2. Attach the “**Back plate**” on the wall with the two provided screws. **(Fig. B)**

Fig. A

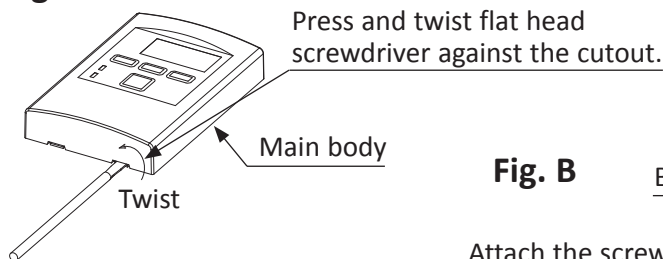
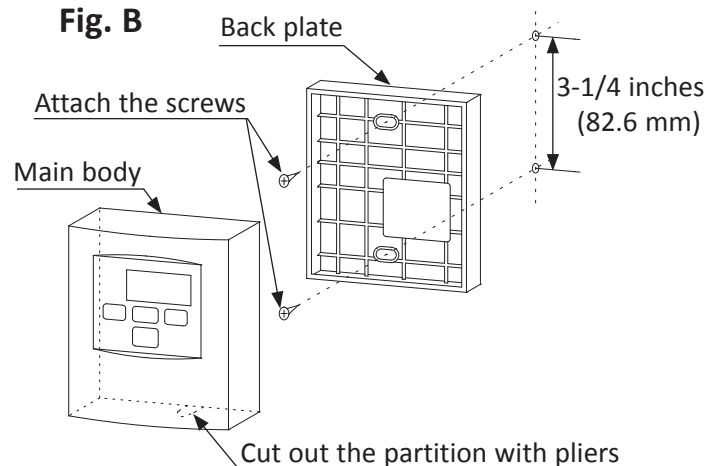
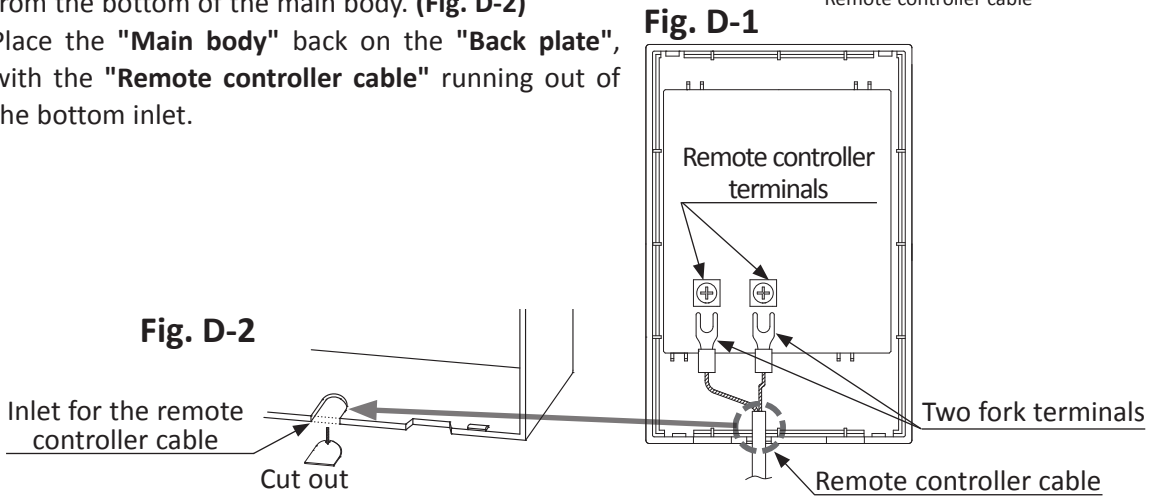
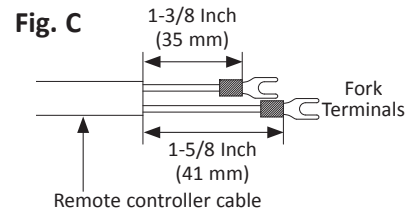


Fig. B



3. Crimp the "Fork terminals" to the cable. (Fig. C)
4. Tighten the two "Fork terminals" beneath the two "Remote controller terminal" screws on the back of the main body. (Fig. D-1)
5. Cut out the inlet for the remote controller cable from the bottom of the main body. (Fig. D-2)
6. Place the "Main body" back on the "Back plate", with the "Remote controller cable" running out of the bottom inlet.



<How to connect the remote controller to the water heater>

1. Disconnect power supply from the water heater.
2. Take off the water heater's front cover.
3. Locate the two terminals for the remote controller in the water heater. (Refer to the Fig. E-1 and E-2.)
4. Put the remote controller cable through the hole at the bottom of the casing of water heater from outside.
5. Properly connect the two terminals attached to the end of the remote control wires to the terminals for the remote controller on or near the computer board with the screws. (No polarity)
- * Do NOT jump or short-circuit the wires, or the computer will be damaged.
6. Replace the water heater's front cover securely.



Wires used for the remote controller connection must be:

- Minimum 20 gauge wire (No polarity)
- Maximum 400 ft. (122 m) long

Fig. E-1

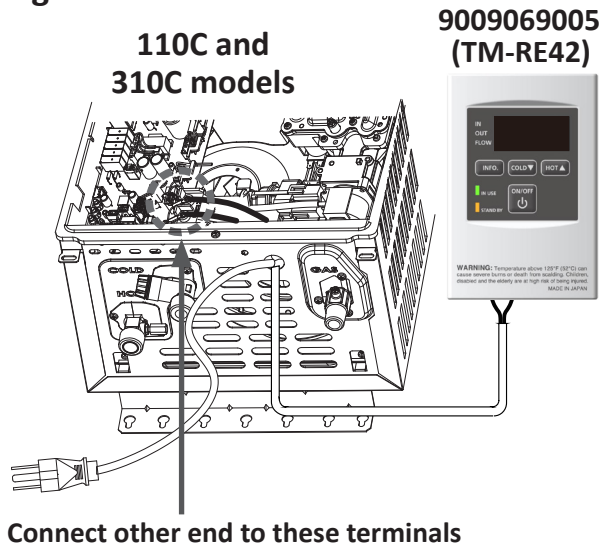
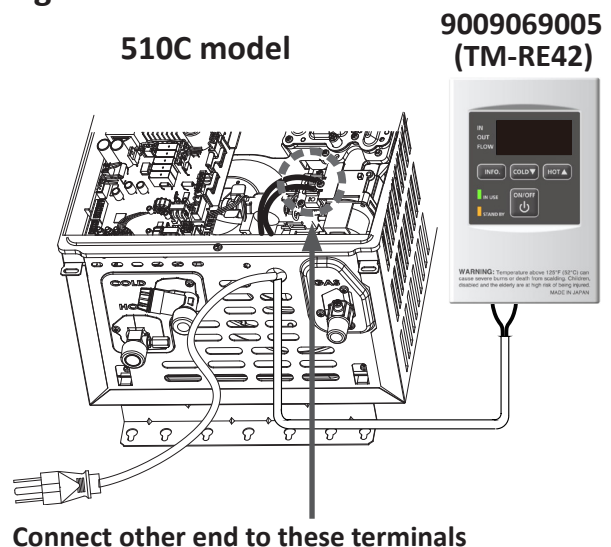


Fig. E-2



EASY-LINK SYSTEM

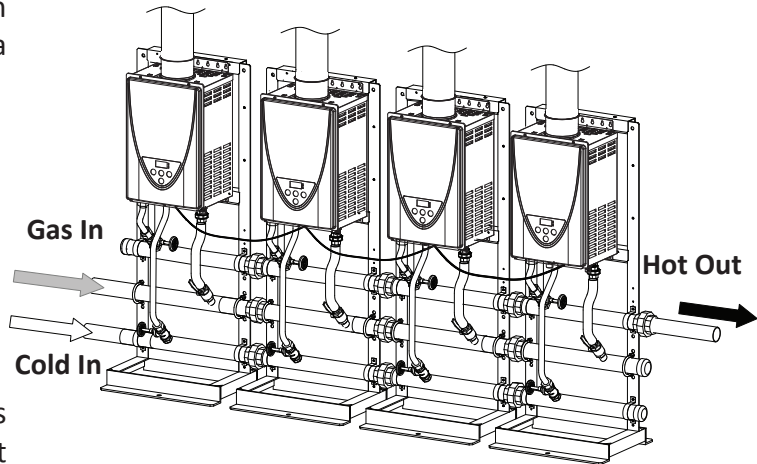
(Available on the 510C model only)

-General-

The 510C model water heaters can be connected together to work as a multiple-unit manifold system.

- The Easy-Link System allows up to 4 units to manifold together (connected with communication cables).
- A communication cable (gray color) comes with each 510C model.

You can manifold from 2 to 4 units without the need for a multi-unit controller. A 4-unit system has full automatic modulation between 15,000 BTU/h and 796,000 BTU/h.



- The Easy-Link System is limited to up to **4 units**. If you connect more than 4 units, only the first 4 units will work as a part of the Easy-Link System. The other additional units will not work.

NOTICE

- A remote controller is not required for an Easy-Link System. However, it does provide for more temperature options and ease of maintenance.
- If a remote controller is used, the temperature on all the units in the system will automatically be set to the same temperature that is set on the remote.

-Easy-Link Connection Procedures-

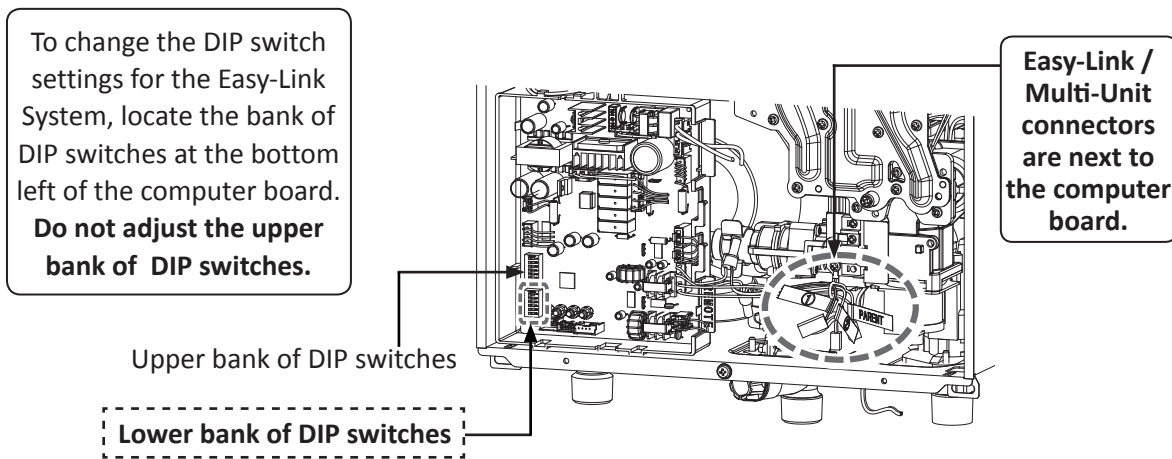
1. Make sure the power to the heaters is turned off.
2. Verify the DIP switch set temperatures of all units within the system. Every water heater must be set to the same set temperature. If a remote controller (9009069005/TM-RE42) is used, it should be installed to the **"PARENT"** unit. The remote will set the temperature for the entire system.
3. Select one unit to be the **"PARENT"** unit. The **"PARENT"** unit should be one of the end units.
4. **"PARENT"** unit:
Locate the two banks of DIP switches at the bottom left of the computer board of the unit that you select to be the **"PARENT"** unit. Change DIP switch No. 1 on the **lower bank of DIP switches to the ON position**. See the computer board diagram as shown on the next page. Do not change any DIP switches on any of the **"CHILD"** units.
5. Between the **"PARENT"** and the **"CHILD-1"** units:
Connect the **"PARENT"** connector of the **"PARENT"** unit to the **"1"** connector of the **"CHILD-1"** unit using the supplied linking cable.
6. Between the **"CHILD-1"** and the **"CHILD-2"** units:
Connect the **"2"** connector of the **"CHILD-1"** unit to the **"1"** connector of the **"CHILD-2"** unit.
7. Between the **"CHILD-2"** and the **"CHILD-3"** units:
Connect the **"2"** connector of the **"CHILD-2"** unit to the **"1"** connector of the **"CHILD-3"** unit.
8. Verify that all cables are connected like the diagram (B).

9. Turn on power to the “**PARENT**” unit.
Next, turn on “**CHILD-1**”. When the built-in controller installed in “**CHILD-1**” unit displays a number, turn on “**CHILD-2**”.
When the built-in controller installed in the “**CHILD-2**” unit displays a number, turn on “**CHILD-3**”.
Make sure the built-in controller installed in each child unit displays each unit #. (Refer to p.40.) The numbering system automatically allocates the unit No. to each water heater in the Easy-Link System, in accordance with the table below.

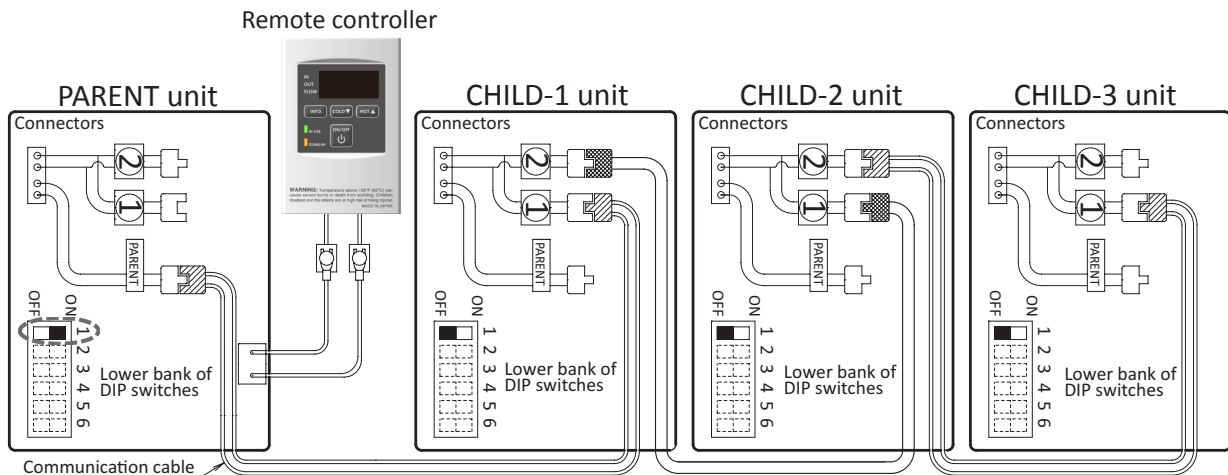
Type of unit	Unit # of easy-link
Parent	1
Child	2, 3, or 4

10. Set the water temperature using the built-in temperature controller on the “**PARENT**” unit. It will set the temperature for the Easy-Link System. If a remote controller is installed to the “**PARENT**” heater, it will override the built-in controller.

(A) 510C model Computer board



(B) Diagram of connections between the Easy-Link System units



NOTE: The dark squares indicate the direction the DIP switches should be set to.

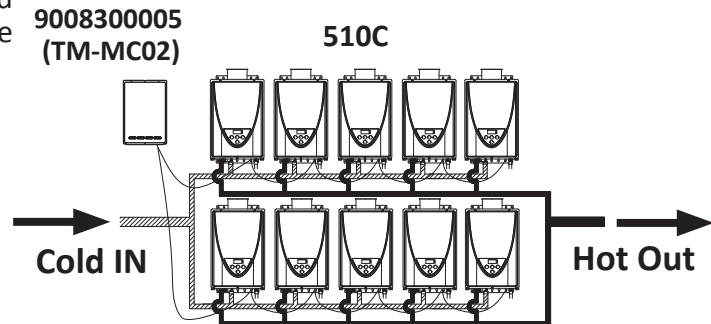
NOTICE

Connecting two “**PARENT**” connectors together from two separate units **may damage the computer board**. The communication cable has a female end and a male end so it’s impossible to have a PARENT-to-PARENT connection with the communication cable. Do not splice or modify connectors.

MULTI-UNIT SYSTEM

Multiple 510C models can be combined for a Multi-Unit System, along with the multi-unit controller (Part 9008300005 (TM-MC02)). Each multi-unit/remote controller set can control from 2 to 20 units for commercial or residential applications. For a 20-unit system, the computer can modulate between the usages of 15,000 BTU/h to 3.98 million BTU/h.

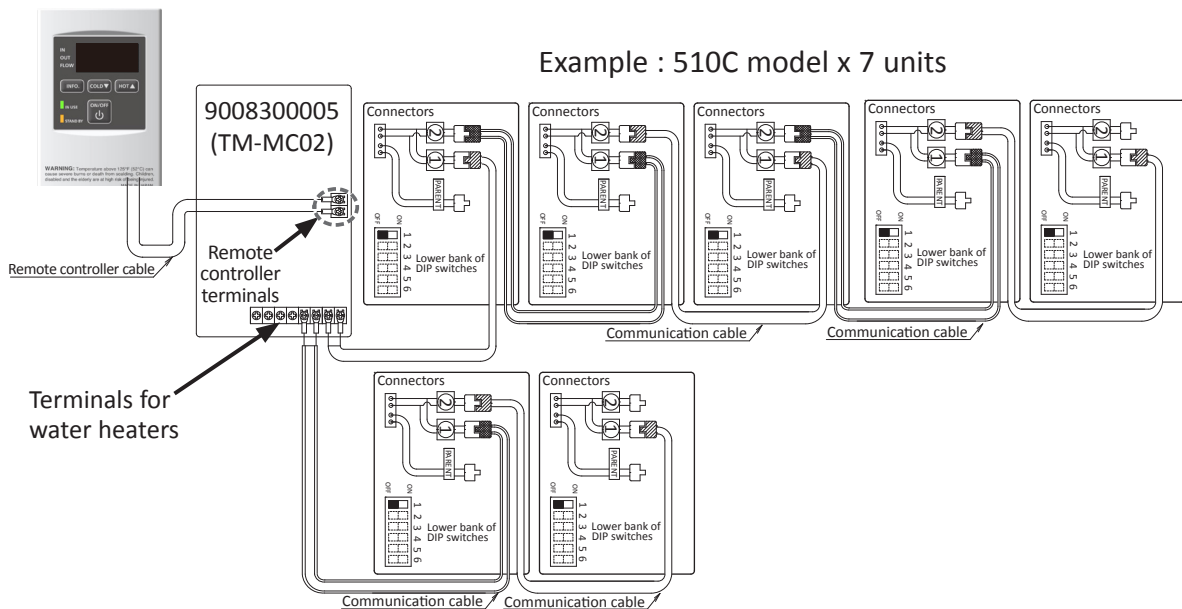
An individual cut-off switch is recommended for each unit in a Multi-Unit System for the purpose of maintenance.



Multi-Unit System connection diagram

Multi-unit controller and temperature remote controller wiring:

Remote controller



- The parent/child DIP switch, No.1 on the lower bank of DIP switches, should be in the OFF position.
- This is the connection diagram between 510C and multi-unit controller for 2 to 20 water heaters. Above is an example showing seven water heaters.
- The multi-unit controller automatically allocates the unit # (1-20) to each water heater that is part of the Multi-Unit System.
- In a Multi-Unit System, connect the “[1]” connector and the “[2]” connector with the communication cable (refer to p. 9) or 18 gauge wire cables. The total cable length can be up to 250 ft. (76.2 m) long.



For detailed instructions on the multi-unit controller, refer to the instructions that are packaged with the multi-unit controller.

APPLICATIONS

-Space-Heating Applications-



WARNING

- This water heater is suitable for combination water (potable) heating and space heating and not suitable for space heating applications only.
- In order to purge air in water pipes within a closed-loop system, an air vent and air separator should be installed in the system. Required circulation flow rates are labeled next to each application diagram. These flow rate requirements must be followed.
- Toxic chemicals used in boiler treatments such as alcohol, glycerol and glycol groups must not be introduced into the system.
- The water heater can be used to supply potable water and space heating and shall not be connected to any heating system or component(s) previously used with non-potable water where any chemicals were added to the water heating appliances.
- When the system requires water for space heating at temperatures higher than required for other uses, a means such as a mixing valve shall be installed to temper the water for those other uses in order to reduce scald hazard potential.
- Water temperature over 125 °F (52 °C) can cause severe burns instantly or death from scalding.

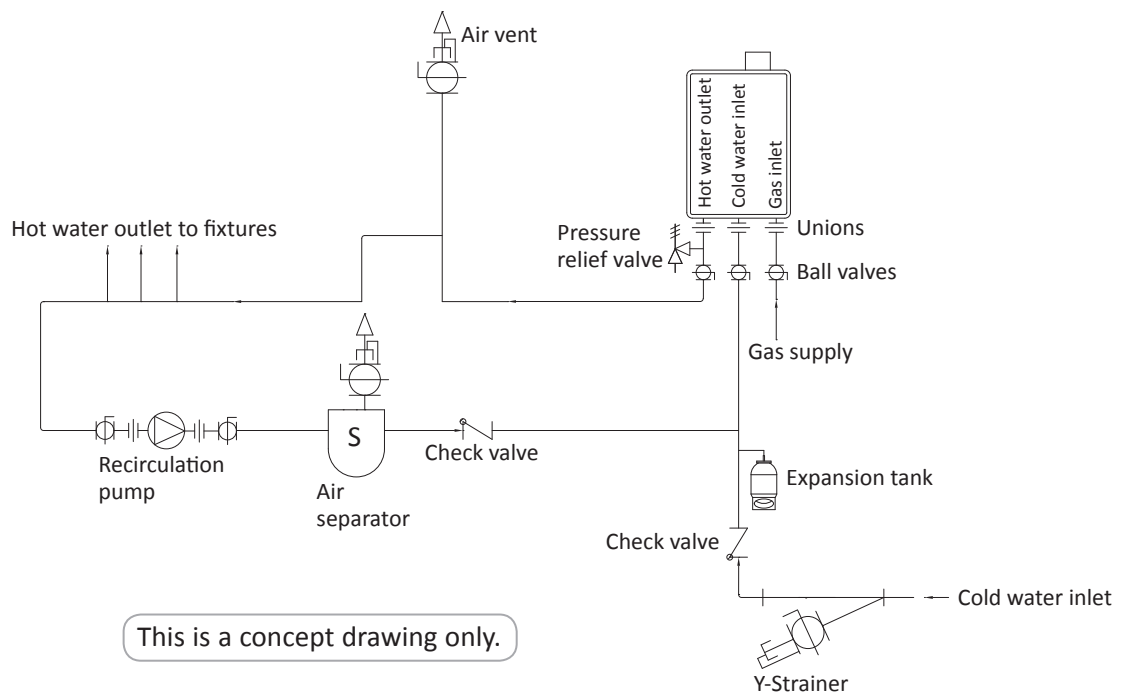
-Recirculation-

*The recirculation pump is to be controlled by:

-Dual-set aquastat (recommended w/timer)

- The aquastat's differential should be a minimum of 10 °F (5 °C).

*The recirculation pump is to provide no less than 2 GPM (7.5 L/min) and no more than 4 GPM (15 L/min) through each activated unit in the system. Refer to the heaters specification sheet on the manufacturer's website for pressure drop information.

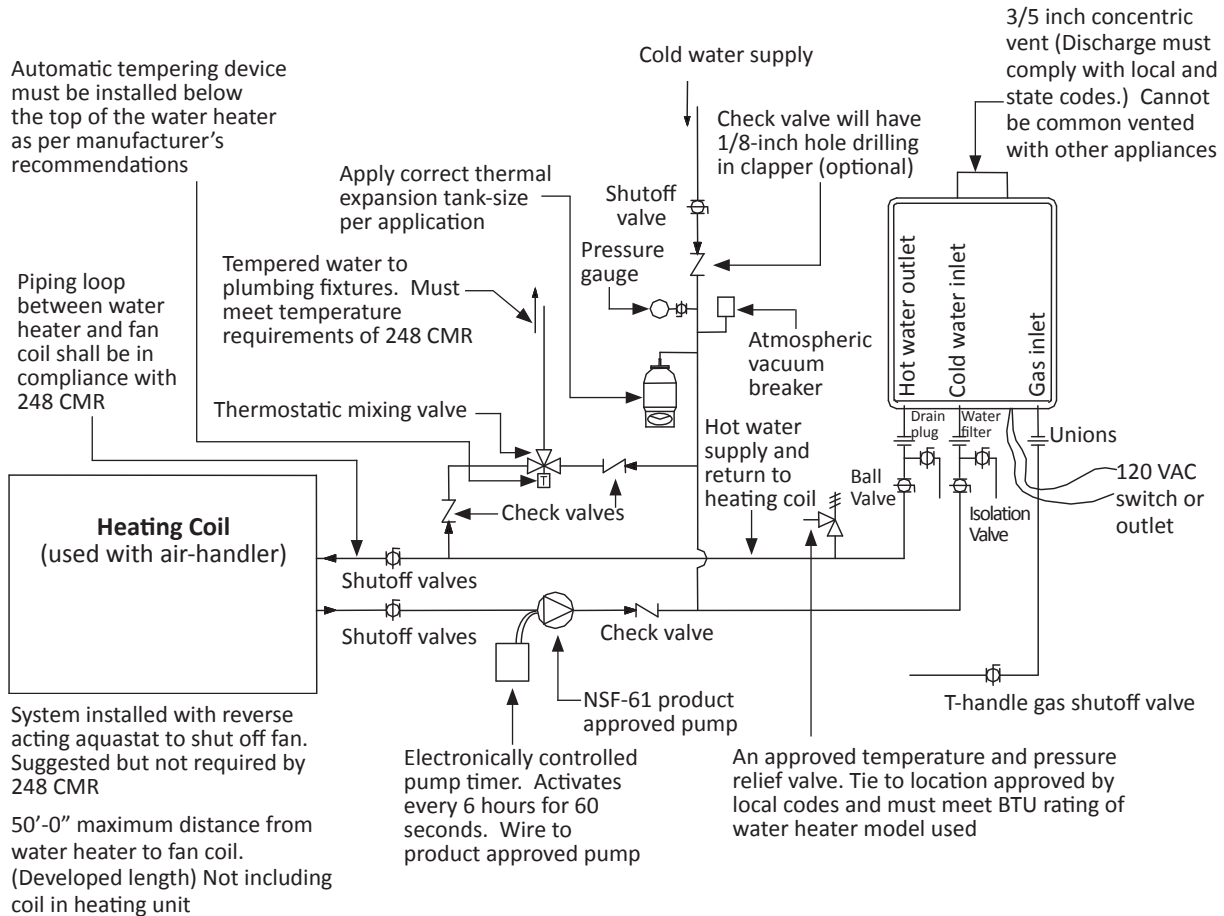


This is a concept drawing only.

-Dual-purpose hot water heating- (Domestic and Space Heating):

Diagrammatic layout of radiant heating and domestic water heater per Massachusetts code.

All water piping should be insulated in accordance with 780 CMR (Massachusetts energy code)



The recirculation pump is to provide no less than 2 GPM (7.5 L/min) and no more than 4 GPM (15 L/min) through each activated unit in the system

NOTICE

- **Priority Control Devices** such as a flow switch, an Aquastat or other electronic controller can be used to prioritize the domestic water system over the heating system.
- Follow all local codes, or in the absence of local codes, follow the current edition of the National Standard Code, ANSI Z21.10.3 • CSA 4.3.
- This illustration is a concept design only. The reference to the 1/8-inch hole in the check valve is only required in the State of Massachusetts. There are a wide variety of variations to the application of controls and equipment presented. Designers must add all necessary safety and auxiliary equipment to conform to code requirements and design practice. For more details, contact the manufacturer or local code authority.

INITIAL OPERATION

FOR YOUR SAFETY, READ BEFORE OPERATING




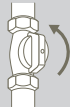
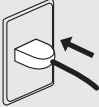

- Check the **GAS and WATER CONNECTIONS** for leaks before firing unit for the first time.
- Open the main gas supply valve to the unit using only your hand to avoid any spark. Never use tools. If the knob will not turn by hand, do not try to force it; call a qualified service technician. Forced or attempted repair may result in a fire or explosion due to gas leaks.
- Be sure to check for the presence of leaking gas toward the bottom of the unit because some gases are heavier than air and may settle towards the floor.
- Check the **GAS PRESSURE**. Refer to p. 20.
- Do not try to light the burner manually. It is equipped with an electronic ignition device which automatically lights the burner.
- Check for **PROPER VENTING and COMBUSTION AIR** to the water heater.
- Purge the **GAS and WATER LINES** to remove any air pockets.
- Do not use this appliance if any part has been under water. Immediately contact a qualified installer or service agency to replace a flooded water heater. Do not attempt to repair the unit! It must be replaced!

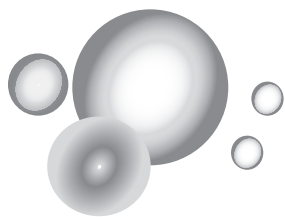


WARNING

IF YOU SMELL GAS:

- Do not try to start the water heater.
- Do not touch any electric switches; do not use any phone in your building.
- Immediately call your gas supplier from a neighbor's phone. Follow the gas supplier's instructions.
- If you cannot reach your gas supplier, call the fire department.

Operation		
1.	Once the above checks have been completed, please clean the filter of any debris. Refer to p. 38 for instructions.	
2.	Fully open the manual water control valve on the water supply line.	
3.	Open a hot water tap to verify that water is flowing to that tap. Then close the hot water fixture.	
4.	Open the manual gas control valve fully.	
5.	Turn on the 120 VAC, 60 Hz power supply to the water heater.	
6.	Now you are ready to enjoy hours of endless hot water.	



Owner's Guide

CONGRATULATIONS

Congratulations and thank you for choosing our tankless water heater. Before use, we recommend that you read through this safety manual carefully. Please refer to the back of the manual for details about the warranty. Keep this manual for future reference.

If you lose the manual, contact the manufacturer or your local distributor or download from the manufacturer's website. When you call, please tell us the product name and the serial number of your unit written on the rating plate of the water heater.

OPERATING SAFETY

FOR YOUR SAFETY READ BEFORE OPERATING

WARNING: If you do not follow these instructions exactly, a fire or explosion may result causing property damage, personal injury or loss of life.

A. This appliance does not have a pilot. It is equipped with an ignition device which automatically lights the burner. Do not try to light the burner by hand.

B. BEFORE OPERATING smell all around the appliance area for gas. Be sure to smell next to the floor because some gas is heavier than air and will settle on the floor.

WHAT TO DO IF YOU SMELL GAS

- Do not try to light any appliance.
- Do not touch any electric switch; do not use any phone in your building.
- Immediately call your gas supplier from a neighbor's phone. Follow the gas supplier's instructions.
- If you cannot reach your gas supplier, call the fire department.

C. Use only your hand to turn the gas shutoff valve. Never use tools. If the valve will not turn by hand, don't try to repair it, call a qualified service technician. Force or attempted repair may result in a fire or explosion.

D. Do not use this appliance if any part has been under water. Immediately contact a qualified installer or service agency to replace a flooded water heater. Do not attempt to repair the unit! It must be replaced!

OPERATING INSTRUCTIONS

1. STOP! Read the safety information above on this label.
2. Turn off all electric power to the appliance.
3. Do not attempt to light the burner by hand.
4. Turn the gas shutoff valve located on the outside of the unit to the closed position.
5. Wait five (5) minutes to clear out any gas. If you then smell gas, STOP! Follow "B" in the safety information above on this label. If you don't smell gas, go to the next step.
6. Turn the gas shutoff valve located on the outside of the unit to the open position.
7. Turn on all electrical power to the appliance.
8. If the appliance will not operate, follow the instructions in "To Turn Off Gas to Appliance," and call your service technician or gas supplier.

TO TURN OFF GAS TO APPLIANCE

1. Turn off all electric power to the appliance if service is to be performed.
2. Turn the gas shutoff valve located on the outside of the unit to the closed position.

⚠ DANGER

Vapors from flammable liquids will explode and catch fire causing death or severe burns. Do not use or store flammable products such as gasoline, solvents or adhesives in the same room or area near the water heater.



Read and follow water heater warnings and instructions. If the owner's manual is missing, contact the retailer or manufacturer.

⚠ DANGER

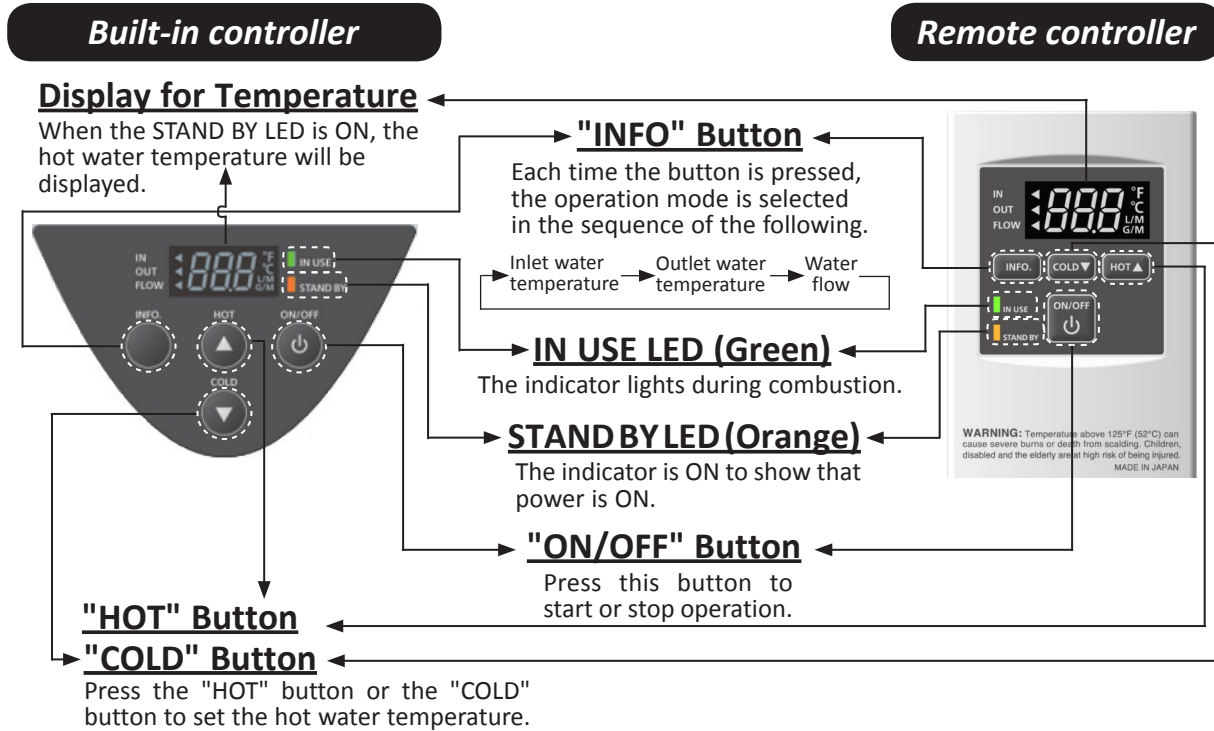
1. Water temperature over 125°F (52°C) can cause severe burns instantly or death from scalds.
2. Children, disabled and elderly are at highest risk of being scalded.
3. Feel water before bathing or showering.
4. Temperature limiting valves are available. See manual.
5. The outlet temperature of the water heater is set at 120°F (50°C). If you require water temperatures below this setting, follow the instruction manual.
6. Use this heater at your own risk. Test the water before bathing or showering. Do not leave children or an infirm person unsupervised.



NORMAL OPERATION

BUILT-IN CONTROLLER and REMOTE CONTROLLER

The illustrations below show examples of the displays of the controller. The exact display may differ from examples.



- When the remote controller is installed it will take priority over the built-in controller.
- The controller has an energy saving mode. Five minutes after the water heater stops operating, the backlight of the controller turns off.
- The backlight of the remote will turn back on once the water heater begins firing again.

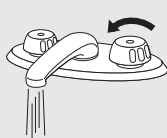
GENERAL



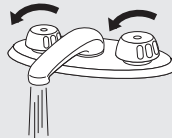
WARNING

Temperature above 125 °F (52 °C) can cause severe burns or death from scalding. Children, disabled and the elderly are at high risk of being injured.

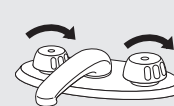
1. Open a cold water fixture.



2. Mix hot water with the cold water to get the correct temperature water.



3. When finished, close the water fixture.


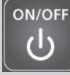












NOTICE

- Flow rate to activate the water heater: 0.5 gallon per minute at the default set temperature (1.9 L/min).
- Flow rate to keep the water heater running: 0.4 gallon per minute (1.5 L/min).

TEMPERATURE SETTINGS

-Set temperature-

	Operation	Screen on the controller	
		Built-in controller	Remote controller
1.	Turn on the 120 VAC power supply to the unit (the water heater or the multi-unit controller).		
2.	Press the "ON/OFF" button on the controller in order to turn the controller on.		
3.	When ON, the STAND BY LED is lit.		
4.	It shows the set temperature on its display as shown in the picture on the right. (EX.: 120 °F)	 (EX.: 120 °F)	
5.	Press the "HOT" button or the "COLD" button to set the temperature setting of the unit.	 	 
	Increasing temperature from 120 °F (50 °C) to 125 °F (52 °C) : 1. The water heater must be in Stand By to increase the temperature. 2. Press the "HOT" button to set 120 °F (50 °C). 3. Press and hold the "INFO" button and the "HOT" button for at least 3 seconds. The remote will emit a beep and change to 125 °F (52 °C). 4. Press the "HOT" button to set up to 140 °F (60 °C).	 	 
	Increasing temperature above 140 °F (60 °C) -510C model only:- 1. The water heater must be in Stand By to increase the temperature. 2. Press the "HOT" button to set 140 °F (60 °C). 3. Press and hold the "INFO" button and the "HOT" button for at least 3 seconds. The remote will emit a beep and change to 145 °F (63 °C). 4. Press the "HOT" button to set up to 160 °F (70 °C).		

TEMPERATURE TABLE OF CONTROLLER

a) For 110C and 310C models

°F	100	105	110	115	120*	125	130	135	140
°C	38	40	43	45	50*	52	55	57	60

b) For 510C model









°F	100	105	110	115	120*	125	130	135	140	145	150	155	160
°C	38	40	43	45	50*	52	55	57	60	63	65	68	70

*Factory setting (Default): 120 °F

ADDITIONAL FEATURES








-Information mode-

You can get some information about the water heater condition by pressing the "INFO" button. For more information, follow the procedures below:

INFO Button	Operation	Screen on the controller	
		Built-in controller	Remote controller
1st. press	Inlet water temperature will be displayed on the remote controller by pressing the "INFO" button.		
		Inlet water temperature	
2nd. press	Outlet water temperature will be displayed on the remote controller by pressing the "INFO" button.		
		Outlet water temperature	
3rd. press	Water flow will be displayed on the remote controller by pressing the "INFO" button.		
		Water flow	
4th. press	Press the "INFO" button to finish information mode.		

-Unit conversion mode-

The controller has a function that can change units of temperature and flow rate from °F to °C and from gallon per minute to liter per minute and vice versa, please follow the procedures below:

	Operation	Screen on the controller	
		Built-in controller	Remote controller
1.	Press the "ON/OFF" button on the controller in order to turn the controller on.		
2.	When ON, the orange LED is lit.		
3.	The previous set temperature will be displayed on the screen.	 (EX.: 100 °F)	
4.	Press the "INFO" buttons for at least 3 seconds.		
5.	The set temperature should now be displayed in the alternate unit of measurement.	 (EX.: 38 °C)	

TEMPERATURE SETTINGS ON THE PCB (WITHOUT CONTROLLER)

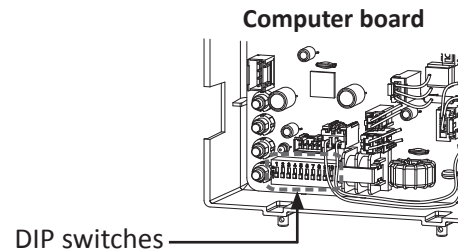
There are 2 preset temperatures, 120 °F (50 °C) and 140 °F (60 °C), that you can select from by changing the DIP switch settings on the computer board without the controller. See the table below.

When the controller is in normal operation, the set temperature of the controller is given priority over the set temperature of the DIP switch settings.

- The temperature has been preset at the factory to 120 °F (50 °C).

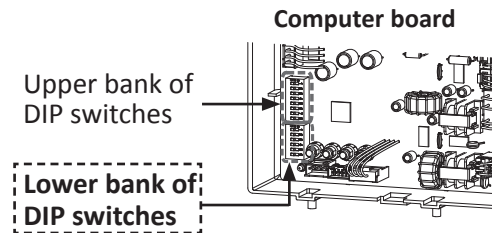
110C and 310C models

120 °F (50 °C) DEFAULT	140 °F (60 °C)
ON 1 2 3 4 5 6 7 8 9 10 OFF <input type="checkbox"/> <input type="checkbox"/> <input type="checkbox"/> <input type="checkbox"/> <input type="checkbox"/> <input type="checkbox"/> <input type="checkbox"/> <input type="checkbox"/> <input type="checkbox"/> <input checked="" type="checkbox"/>	ON 1 2 3 4 5 6 7 8 9 10 OFF <input type="checkbox"/> <input type="checkbox"/> <input type="checkbox"/> <input type="checkbox"/> <input type="checkbox"/> <input type="checkbox"/> <input type="checkbox"/> <input type="checkbox"/> <input checked="" type="checkbox"/> <input type="checkbox"/>
No. 9 : OFF	No. 9 : ON



510C model (Lower bank of DIP switches)

120 °F (50 °C) DEFAULT	140 °F (60 °C)
ON 1 2 3 4 5 6 OFF <input type="checkbox"/> <input type="checkbox"/> <input type="checkbox"/> <input type="checkbox"/> <input checked="" type="checkbox"/> <input type="checkbox"/>	ON 1 2 3 4 5 6 OFF <input type="checkbox"/> <input type="checkbox"/> <input type="checkbox"/> <input checked="" type="checkbox"/> <input type="checkbox"/> <input type="checkbox"/>
No. 5 : OFF	No. 5 : ON



NOTE: The black square indicates the position of the DIP switch for set temperature. For the 110C and 310C, only adjust DIP switch No. 9. For the 510C, only adjust DIP switch No. 5 on the lower bank. Do not adjust the other DIP switches for temperature adjustment.



- DO NOT adjust the upper bank of DIP switches for the 510C model.
- Turn off the power supply to the water heater before changing the DIP switch settings.

FLOW

- The flow rate through the water heater is limited to a maximum of 6.6 GPM (25 L/min) for the 110C model, 8.0 GPM (30 L/min) for the 310C model, and 10.0 GPM (38 L/min) for the 510C model.
- The temperature setting, along with the supply temperature of the water will determine the flow rate output of the unit.
- Please refer to the temperature vs. gallons per minute charts on p. 50 to determine the likely flow rates based on your local ground water temperature and your desired outlet water temperature.

Household Flow Rates

Appliance/Use	Flow rate	
	GPM (US)	L/min
Lavatory Faucet	1.0	3.8
Bath Tub	4.0 – 10.0	15.2 - 37.8
Shower	2.0	7.5
Kitchen Sink	1.5	5.6
Dishwasher	1.5	5.6
Washing machine	4.0	15.2

Taken from UPC 2006

- Based on the United States Department of Energy method of testing water heater output, the water heater is rated for gallons per minute (GPM) (liters per minute (L/min)) for Natural Gas and Propane, when raising the water temperature by 77 °F (43 °C) (from 58 °F to 135 °F (14 °C to 57 °C)). See the chart on the right.

Unit: GPM (L/min)

Model	Flow rate	
	Natural	Propane
110C	3.0 (11.4)	3.0 (11.4)
310C	4.1 (15.5)	4.1 (15.5)
510C	4.3 (16.3)	4.3 (16.3)

- Refer to the table to the top right for typical household plumbing fixture flow rates to determine what the water heater can do in a household application.

FREEZE PROTECTION SYSTEM

- This unit comes equipped with heating blocks to protect it against damages associated with freezing.
- For this freeze protection system to operate, there has to be electrical power to the unit. Damage to the heat exchanger caused by freezing temperatures due to power loss is not covered under the warranty. In cases where power losses can occur, consider the use of a backup power supply.
- The freeze protection system will activate when the air temperature inside the case or water in the heat exchanger is less than 36.5 °F (2.5 °C).
- It is the installer's responsibility to be aware of freezing issues and take all preventative measures. The manufacturer will not be responsible for any damage to the heat exchanger as a result of freezing.
- If you will not be using your heater for a long period of time:
 1. Completely drain the water out of the unit. Refer to p. 38.
 2. Disconnect power to your heater.

This will keep your unit from freezing and being damaged.



Only pipes within the water heater are protected by the freeze protection system. Any water pipes (hot or cold) located outside the unit will not be protected. Properly protect and insulate these pipes from freezing.

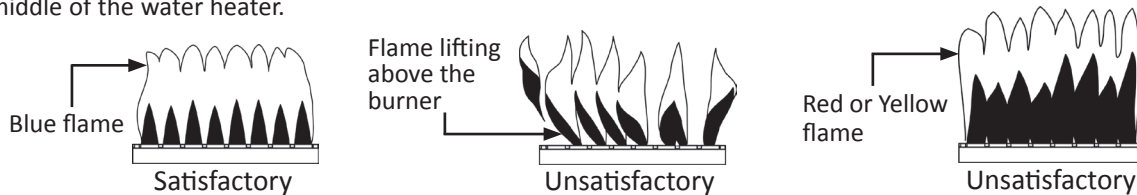
MAINTENANCE AND SERVICE



WARNING

Turn off the electrical power supply and close the manual gas shutoff valve and the manual water control valve before servicing.

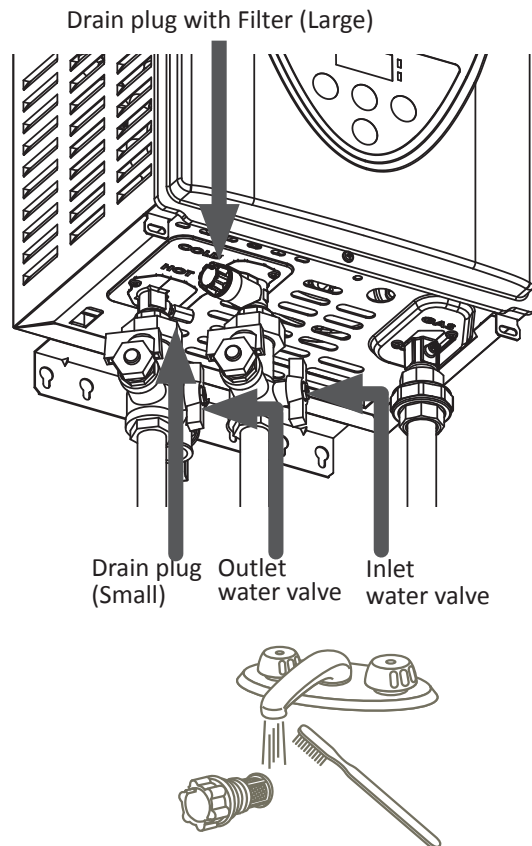
- Clean the cold-water inlet filter. (Refer to Unit draining and filter cleaning section on this page.)
- Be sure that all openings for combustion and ventilation air are not blocked.
- The venting system should be checked annually for any leaks, corrosion, blockages or damage.
- The burner should be checked annually for dust, lint, grease or dirt.
- Keep the area around the water heater and terminations clear. Remove any combustible materials, gasoline or any flammable vapors and liquids.
- In accordance with all local codes and common safety practices, water discharged from the pressure relief valve can cause severe burns instantly from scalding. DO NOT touch the pressure relief valve.
- If the relief valve discharges periodically, it may be due to thermal expansion in a closed water supply system. Contact the water supplier or local plumbing inspector on how to correct this situation.
- Visual check of burner flames (see below) through the burner window in the burner assembly located at the middle of the water heater.



The manufacturer recommends having the unit checked once a year or as necessary by a licensed technician. If repairs are needed, any repairs should be done by a licensed technician.

UNIT DRAINING and FILTER CLEANING

1. Close the manual gas shutoff valve.
2. Turn off power to the unit and wait a couple of seconds. Turn on again.
3. Wait 30 seconds, and then turn off power to the unit.
4. Close the **inlet** water shutoff valve.
 - If the heater is part of an Easy-Link or Multi-Unit System, close the inlet and outlet shutoff valves to isolate the heater. Then proceed to step 6.
5. Open all hot water taps in the house. When the residual water flow has ceased, close all hot water taps.
6. Have a bucket or pan to catch the water from the unit's drain plugs. If isolation valves are installed, open the drains to drain the water. If isolation valves are not installed, **unscrew** the two drain plugs (large and small) to drain all the water out of the unit. Do not lose the o-rings that will be on the two drain plugs.
7. Wait a few minutes to ensure all water has completely drained from the unit.
8. **Clean the filter:** Check the water filter located within the cold inlet. With a tiny brush, clean the water filter of any debris which may have accumulated and reinsert the filter back into the cold water inlet.
9. Securely screw the drain plugs back into place.
Hand-tighten only.



TROUBLESHOOTING

GENERAL

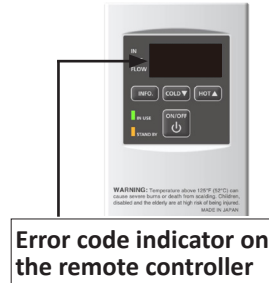
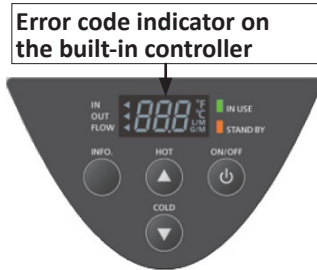
	PROBLEM	SOLUTIONS
TEMPERATURE and AMOUNT OF HOT WATER	It takes a long time to get hot water at the fixtures.	<ul style="list-style-type: none"> The time it takes to deliver hot water from the water heater to your fixtures depends on the length of piping between the two. The longer the distance or the bigger the pipes, the longer it will take to get hot water. If you would like to receive hot water to your fixtures quicker, you may want to consider a hot water recirculation system. (p. 27)
	The water is not hot enough.	<ul style="list-style-type: none"> Compare the flow and temperature. See the charts on p. 50. Check cross plumbing between cold water lines and hot water lines. Is the gas supply valve fully open? (p. 29) Is the gas line sized properly? (p. 19) Is the gas supply pressure within specified limits? (p. 18 and 20) Is the set temperature set too low? (p. 34 and 36)
	The water is too hot.	<ul style="list-style-type: none"> Is the set temperature set too high? (p. 34 and 36)
	The hot water is not available when a fixture is opened.	<ul style="list-style-type: none"> Make sure the unit has 120 VAC, 60 Hz power supply. Is the power button turned on? Is the gas supply valve fully open? (p.29) Is the water supply valve fully open? (p. 29) Is the filter on cold water inlet clean? (p. 38) Is the hot water fixture sufficiently open to draw at least 0.5 GPM (1.9 L/min) through the water heater? (p. 33) Is the unit frozen? (p. 37)
	The hot water turns cold and stays cold.	<ul style="list-style-type: none"> Is the flow rate enough to keep the water heater running? (p. 33) If there is a recirculation system installed, does the recirculation line have enough check valves? (p. 27) Is the gas supply valve fully open? (p. 29) Is the filter on cold water inlet clean? (p. 38) Are the fixtures clean of debris and obstructions?
	Fluctuation in hot water temperature.	<ul style="list-style-type: none"> Is the filter on cold water inlet clean? (p. 38) Is the gas line sized properly? (p. 19) Is the supply gas pressure within specified limits? (p. 18 and 20) Check for cross connection between cold water lines and hot water lines.

	PROBLEM	SOLUTIONS
WATER HEATER	Unit does not ignite when water goes through the unit.	<ul style="list-style-type: none"> • Is the flow rate over 0.5 GPM (1.9 L/min)? (p. 33) • Check the filter on cold water inlet. (p. 38) • Check for reverse connection and cross connection. • If you use the remote controller, is the power button turned on? • Check if the inlet water temperature is too high. If it is too close to the set temperature, the water heater won't work.
	The fan motor is still spinning after operation has stopped.	<ul style="list-style-type: none"> • This is normal. After operation has stopped, the fan motor keeps running from 15 to 70 seconds in order to re-ignite quickly, as well as purge all the exhaust gas out of the flue.
	Unit sounds abnormal while in operation	<ul style="list-style-type: none"> • Contact the manufacturer at 1-877-737-2840.
Built-in controller and remote controller	Built-in and remote controller do not display anything when the power button is turned on.	<ul style="list-style-type: none"> • Make sure the unit is supplied with power. • For the remote controller: Make sure the connection to the unit is correct. (p. 22 and 23) <div style="text-align: center;"> <p>Built-in controller</p> <p>When the controller turned ON, STAND BY LED is lit.</p> <p>STAND BY</p> <p>WARNING: Temperature above 125°F (52°C) can cause severe burns or death from scalding. Children, disabled and the elderly are at high risk of being injured. MADE IN JAPAN.</p> </div> <ul style="list-style-type: none"> • When the unit has not operated for five minutes or more, the display turns off to conserve energy. • Although the controller of the parent unit will display the set temperature at the Easy-Link System, the controller of the child unit will not display the set temperature.
	An ERROR code is displayed.	<ul style="list-style-type: none"> • Please see p. 42 and 43.
EASY-LINK SYSTEM 510C model only	How are the unit numbers assigned?	<ul style="list-style-type: none"> • For an Easy-Link System, the Parent unit is always labeled #1 and all other subsequent Child units are numbered randomly. • To check which numbers are assigned to which Child units, push the button on the computer board of any Child unit as shown below. The unit number will be displayed on the built-in controller of each Child unit. (Refer to p. 25.) <div style="text-align: center;"> <p>Button to check unit numbers</p> </div>

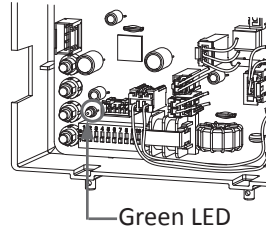
ERROR CODES

-General-

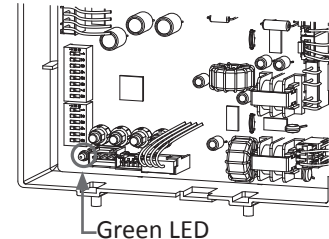
- The units have self-diagnostic functions for safety and convenience when troubleshooting.
- If there is a problem with the installation or the unit, the error code will be displayed on the temperature controller and remote controller.
- Consult the table on the following pages for the description of each error code.



110C and 310C models



510C model




Error code on the computer board

It indicates the number of 0.5 seconds blinkings with three seconds interval on the Green LED.

-Single unit Installations-

Example: If your unit has the "321" error code (which signifies an inlet thermistor failure)

- **Indicator on the built-in controller and/or remote controller:** "321" will be displayed on the screen in its entirety. 
- **Green LED on the computer board:** The green LED on the computer board will indicate this code with two flashes every 1/2 second. The pattern will repeat with a three second delay between patterns.

-Easy-Link System- (For the 510C model only)

Error codes will be displayed differently with units installed within an Easy-Link System, not only to show what the error code is, but to also indicate which unit within the system has the error code. Below is a sample of how the error code of "321" is displayed in an Easy-Link System.

Example: If Unit #2 has the "321" error code (inlet thermistor failure)

- **Indicator on the built-in controller and/or remote controller of Parent unit:** "321" and "2" will intermittently flash on the display.

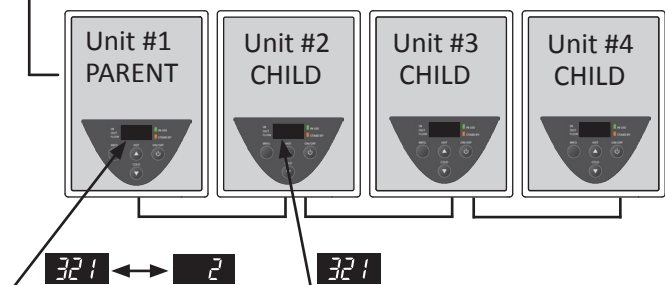


9009069005 (TM-RE42)

- **Unit #2:** "321" will intermittently flash on the display. And the green LED on the computer board will be blinking two times, just like in the single unit example.



- **Unit #3 and #4:** These units will not display anything, as the error code does not pertain to them.



-Fault Analysis of Error Codes-

If the error code is displayed on the computer board of the water heater or remote controller, please check the following. After checking, **consult with the manufacturer.**

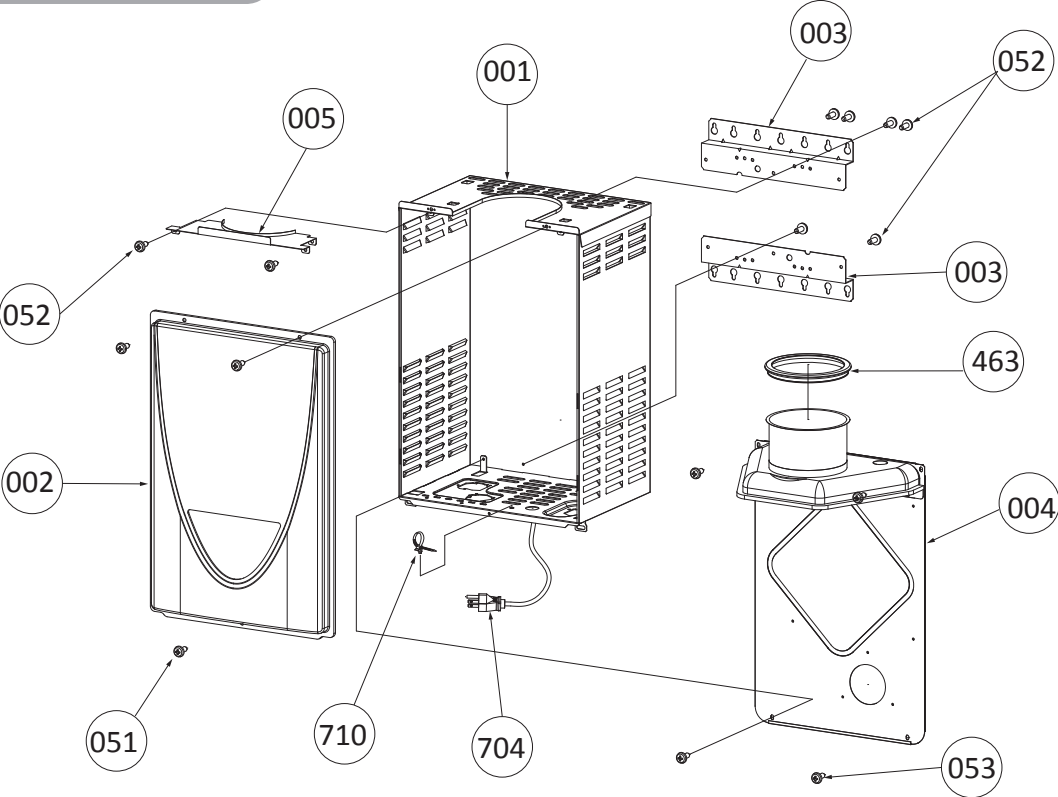
Remote	Green LED	Malfunction description	Diagnosis
031	One Time	Incorrect DIP switch setting	<ul style="list-style-type: none"> Check the DIP switch settings on the PCB (Part #701).
101	Five Times	Warning for the "991" error code	<ul style="list-style-type: none"> Check the gas type of the water heater. Check if there is any blockage in the intake air and/or exhaust. Check if there is enough distance between the concentric terminals. Check the altitude/elevation of area of where the water heater is installed. Check if there is grease and/or dirt in the burner (Part #101) and the fan motor (Part #103), especially if the water heater has been installed in a contaminated area.
111*	Three Times	Ignition failure	<ul style="list-style-type: none"> Check if the Hi-limit switch (Part #412) is properly functioning. Check for connection/breakage of wires (Part #413, 708, 709), burn marks on the computer board (Part #701), and/or soot on the flame rod (Part #108). Check if there is a buzzing spark ignition sound coming from the burner (Part #101) when water heater prepares for combustion. Listen for the double "clunk" sound coming from gas valve assembly (Part #102) when water heater goes into combustion. Check if there is leaking from heat exchanger (Part #401).
121*	Three Times	Loss of flame	<ul style="list-style-type: none"> Check if the Hi-limit switch (Part #412) is properly functioning. Check for connection/breakage of wires (Part #413, 708, 709), burn marks on the computer board (Part #701), and/or soot on the flame rod (Part #108). Check if there is leaking from heat exchanger (Part #401).
311*	Two Times	110C & 310C: Outlet thermistor failure 510C: Heat exchanger thermistor failure	<ul style="list-style-type: none"> Check for connection/breakage of wires and/or debris on thermistor (Part #407, 408, 411, 713).
321*	Two Times	Inlet thermistor failure	
331*	Two Times	Outlet thermistor failure (510C model only)	
391	Two Times	Air-fuel ratio rod failure	<ul style="list-style-type: none"> Check for connection/breakage of wires (Part #709) and/or soot on the AFR rod (Part #108).
441	Two Times	Flow sensor failure (Only Easy-Link & Multi-Unit System)	<ul style="list-style-type: none"> Check for connection/breakage of wires and/or debris on the flow sensor impeller (Part #402).
510	Six Times	Abnormal main gas solenoid valve	<ul style="list-style-type: none"> Check for connection/breakage of wires (Part #708) and/or burn marks on the computer board (Part #701).
551	Six Times	Abnormal gas solenoid valve	<ul style="list-style-type: none"> Check for connection/breakage of wires (Part #708) and/or burn marks on the computer board (Part #701).
611*	Four Times	Fan motor fault	<ul style="list-style-type: none"> Check for connection/breakage of wires, dust buildup in the fan motor (Part #103) and/or burn marks on the computer board (Part #701). Check for frozen/corrosion of connectors (Part #103).

Remote	Green LED	Malfunction description	Diagnosis
651*	Four Times	Flow adjustment valve fault (Only Easy-Link & Multi-Unit System)	<ul style="list-style-type: none"> Inspect the flow adjustment valve (Part #402), for connection/breakage of wires, locked motor drive due to scale buildup, and/or water leakage.
661*	Four Times	Bypass valve fault (510C model only)	<ul style="list-style-type: none"> Inspect the bypass valve (Part #403), for connection/breakage of wires, locked motor drive due to scale buildup, and/or water leakage.
701*	One Time	Computer board fault	<ul style="list-style-type: none"> Check for connection/breakage of wires (Part #713).
711*	One Time	Gas solenoid valve drive circuit failure	<ul style="list-style-type: none"> Refer to the 111 and 121 error codes.
721*	Six Times	False flame detection	<ul style="list-style-type: none"> Check if condensate drain is installed on the vent collar of the water heater. Check if there is leaking from heat exchanger (Part #401).
741	N/A	Miscommunication between water heater and remote controller	<ul style="list-style-type: none"> Check the model type of the remote controller. Inspect the connections between the water heater and remote controller. Check the power supply of the water heater.
751	N/A	Miscommunication between water heater and built-in controller	<ul style="list-style-type: none"> Inspect the connections between the water heater and built-in controller. Check the power supply of the water heater.
761	N/A	Miscommunication in Easy-Link system	<ul style="list-style-type: none"> Check if the connections between the parent unit and the child units are correct. Refer to p. 25.
991	Five Times	Imperfect combustion	<ul style="list-style-type: none"> Check the gas type of the water heater. Inspect the environment around the water heater. Determine how long the unit has been installed. Check the altitude/elevation of the area of where the water heater is installed. Check if there is any blockage in the intake air and/or exhaust. Check whether there is enough distance between the concentric terminals. Check if there is grease and/or dirt in the burner (Part #101) and the fan motor (Part #103), especially if the water heater has been installed in a contaminated area.

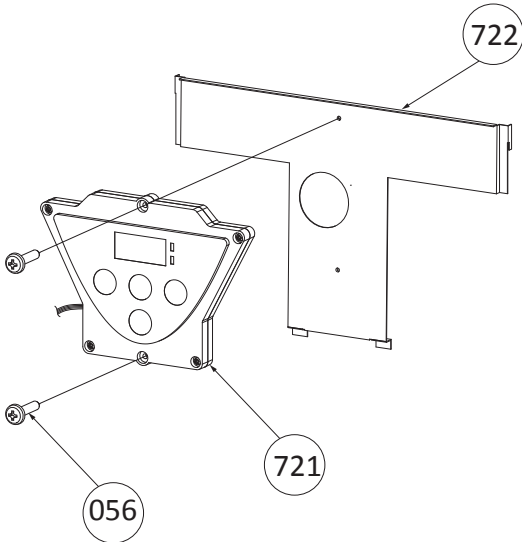
***These error codes will be cleared when water flow stops.**

COMPONENTS DIAGRAM

Case assembly

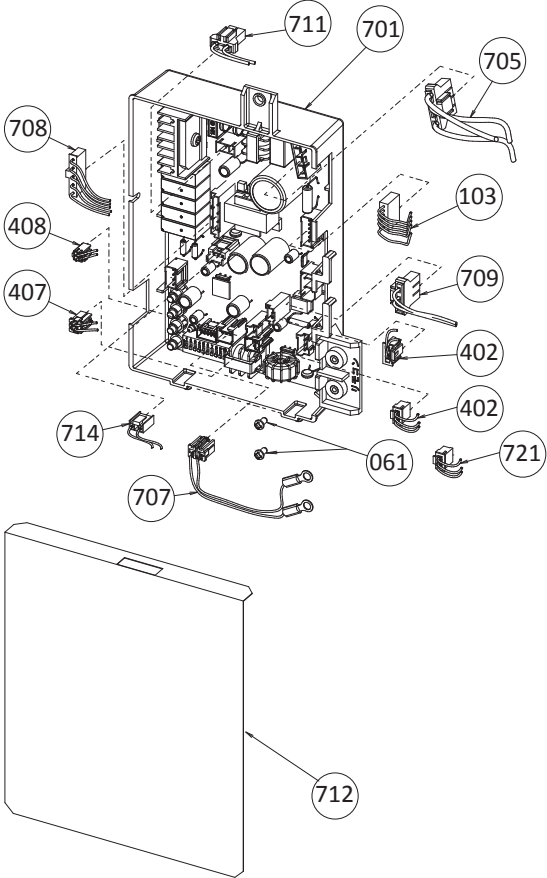


Built-in temperature controller

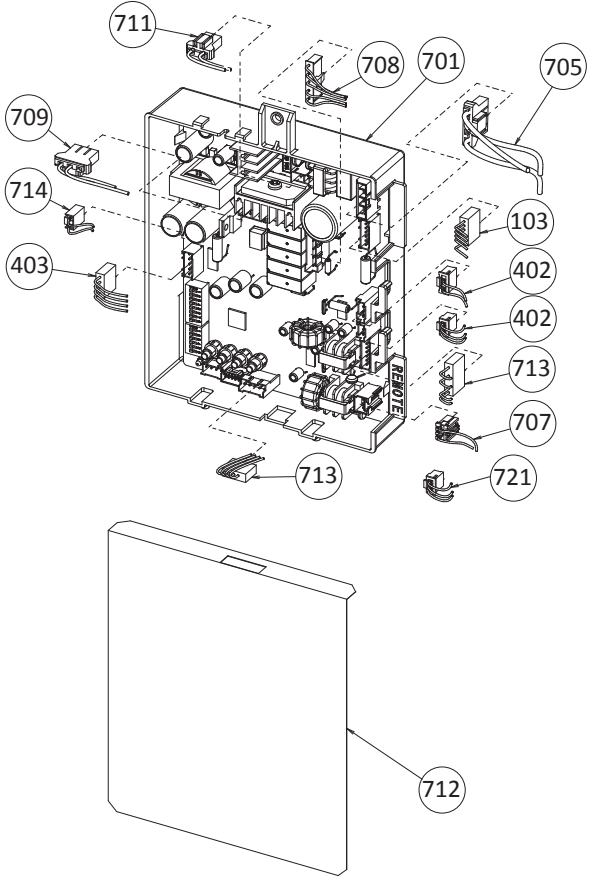


Computer board assembly

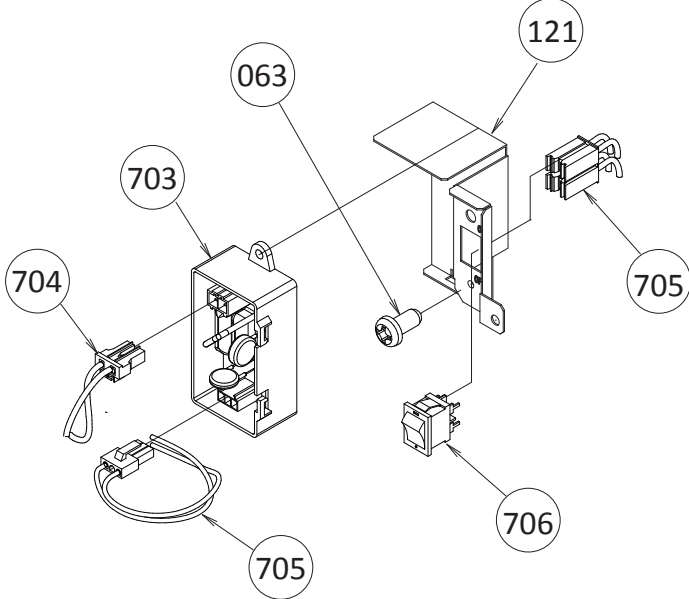
110C and 310C models



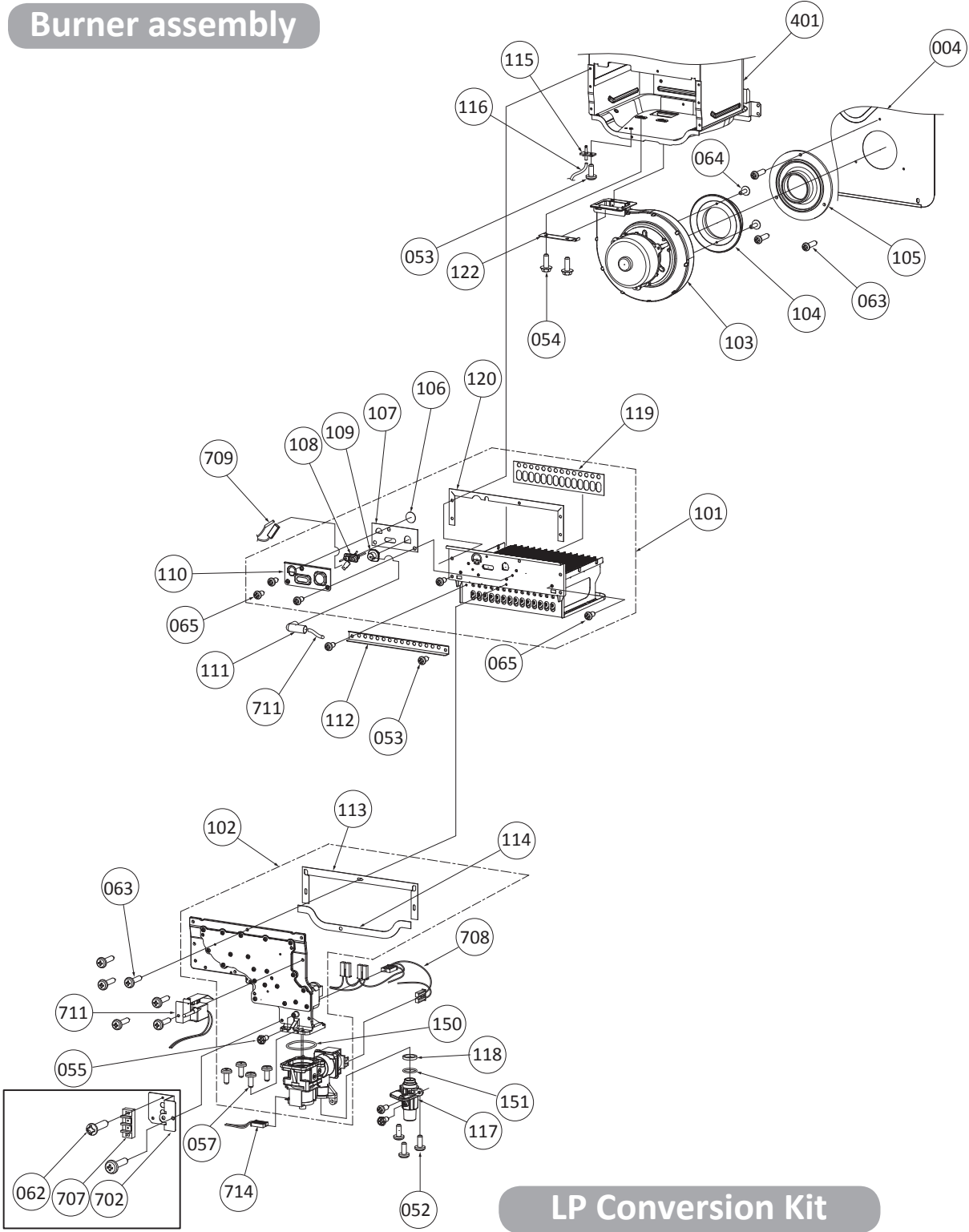
510C model



Surge box assembly

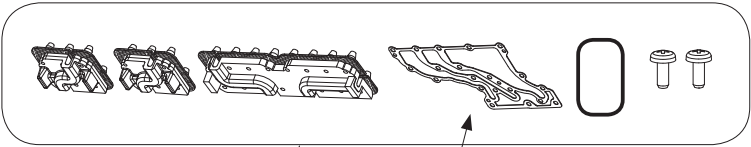


Burner assembly



510C model

LP Conversion Kit

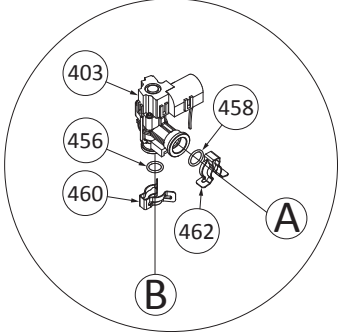


130

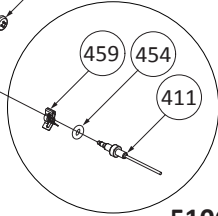
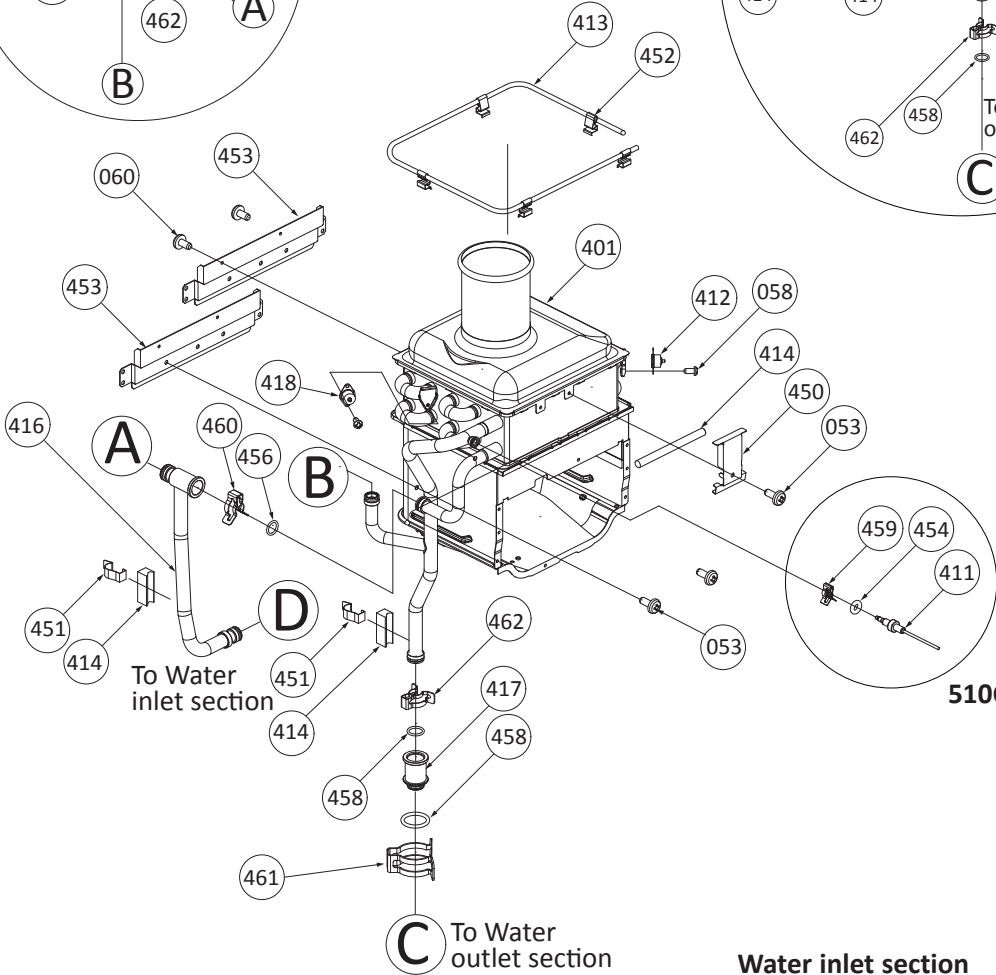
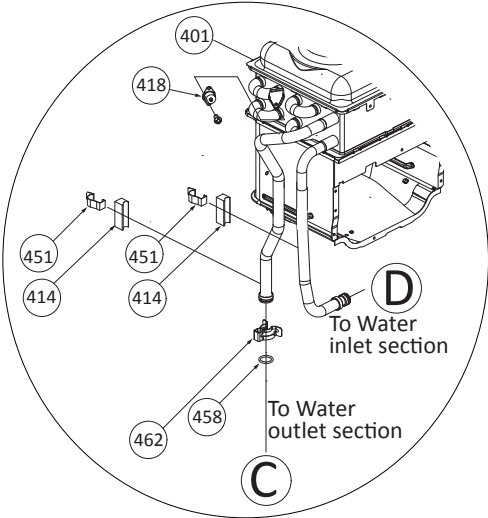
131

Water Way assembly

**Bypass section
(510C model)**

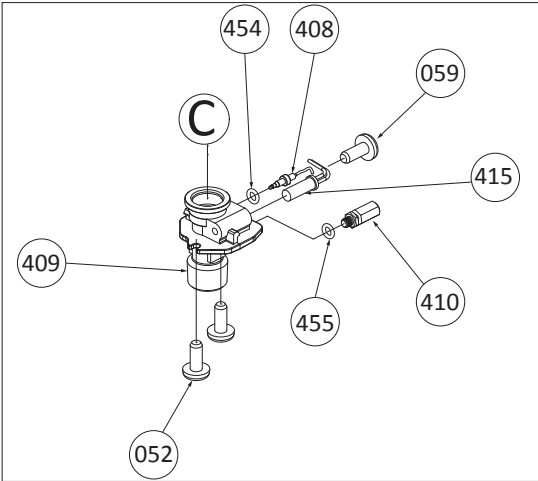


110C & 310C model

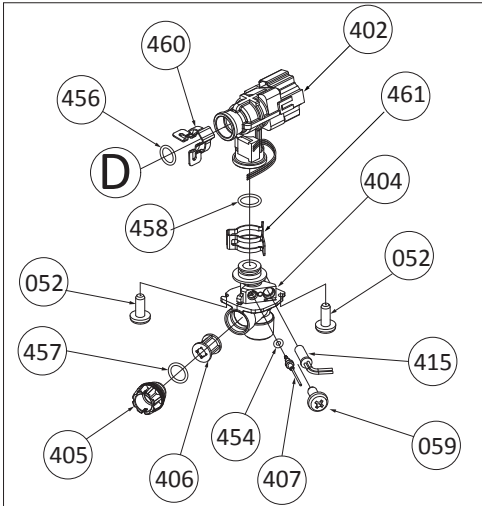


510C model

Water outlet section



Water inlet section



PARTS LIST

Item #	Description	Part #	
		110C, 310C and 510C models	AT-KJr3U-CV, AT-K5U-CV and AT-D3U-CV models
001	Case assembly	N/A	EK550
002	Front cover	N/A	EK551
003	Bracket	N/A	EK455
004	Duct unit	N/A	EK552
005	Duct unit cover	N/A	EK553
051	Screw M4x12 (W/Washer)	319143-025	EW000
052	Screw M4x10 (Coated)	319143-026	EW002
053	Screw M4x10	319143-060	EW003
054	Hex head screw M4x12 (W/Washer)	319143-326	EW004
055	Hex head screw M4x8	319143-063	EW005
056	Pan Screw M4x20	N/A	EW018
057	Tap tight screw M4x12 FEZN	319143-201	EKK31
058	Screw M3x6	319143-087	EW00A
059	Screw M4x6	319143-328	EW009
060	Screw M4x8 SUS3	N/A	EW02A
061	Screw M3x6	319143-439	EW016
062	Screw M3x12	319143-331	EW00X
063	Screw M4x14	N/A	EW00E
064	Screw M3x10	N/A	EW02C
065	Pan Screw M4x8	319143-059	EW00D
101	Burner and mixing chamber assembly	319143-555	EK554
102	Manifold with gas valve assembly NA	319143-556	EK555
103	Fan motor assembly	319143-557	EK556
104	Fan motor gasket	319143-558	EK557
105	Fan motor plate	319143-559	EK558
106	Burner window	N/A	EKN58
107	Rod holder gasket	319143-560	EK559
108	Flame rod with AFR function	319143-561	EK560
109	Igniter rod	319143-562	EK561
110	Rod holder	319143-563	EK562
111	Rod cap	320273-358	EK462
112	Burner damper	319143-564	EK563
113	Manifold gasket A	319143-565	EK564
114	Manifold gasket B	319143-566	EK565
115	Pressure port	319143-042	EKK2D
116	Combustion chamber tube	319143-344	EX019
117	Gas inlet	319143-567	EK566
118	Gas inlet ring	319143-049	EKK2Z
119	Burner gasket	319143-568	EK567
120	Burner holder gasket	319143-569	EK568
121	Surge box plate	319143-176	EK436
122	Fan motor plate	N/A	EK569
130	LP Conversion Kit	319143-580	EK591
131	Manifold Gasket	319143-581	EK592
150	O-ring (Manifold)	N/A	EK570
151	O-ring P20 NBR (Black)	319143-057	EK042
401	Heat exchanger assembly for 110C, 310C for 510C	319143-570 319143-571	EK571 EK572
402	Flow adjustment valve / Flow sensor	319143-463	EK129
403	Bypass valve for 510C model	319143-464	EKD58
404	Water inlet	319143-193	EKK1U
405	Inlet drain plug	319143-197	EKK2B

Item #	Description	Part #	
		110C, 310C and 510C models	AT-KJr3U-CV, AT-K5U-CV and AT-D3U-CV models
406	Inlet water filter	319143-198	EKK2C
407	Inlet thermistor for 110C and 310C models	319143-214	EKK4J
	Inlet thermistor for 510C model	319143-572	EK573
408	Outlet thermistor for 110C and 310C models	319143-218	EKK55
	Outlet thermistor for 510C model	319143-573	EK574
409	Water outlet	319143-466	EK104
410	Outlet drain plug	319143-079	EK239
411	Heat exchanger thermistor for 510C model	319143-574	EK575
412	Hi-Limit switch for 110C and 310C models	319143-228	EM212
	Hi-Limit switch for 510C model	319143-095	EKN34
413	Overheat-cut-off fuse	319143-067	EX02A
414	Pipe heater	319143-531	EK209
415	Inlet heater	319143-468	EK105
416	Pipe inlet for 510C model	319143-575	EK576
417	Joint outlet for 510C model	319143-576	EK577
418	Thermo switch	N/A	EK589
450	Pipe heater fixing plate	N/A	EK578
451	Heater fixing plate 16	319143-125	EK031
452	Fuse fixing plate 18	N/A	EK476
453	Combustion chamber fixing plate	N/A	EK579
454	O-ring P4 FKM	319143-082	EZF04
455	O-ring P6 FKM	319143-080	EZF06
456	O-ring P14 FKM	319143-100	EZF14
457	O-ring P15 FKM	319143-091	EZF15
458	O-ring P16 FKM	319143-083	EZF16
459	Fastener "4-11" for 510C model	319143-097	EKH30
460	Fastener "14-22"	319143-105	EKK24
461	Fastener "16A"	319143-226	EM192
462	Fastener "16-25A"	319143-205	EKK39
463	Silicon ring	N/A	EK580
701	Computer board for 110C model	319143-577	EK581
	for 310C model	319143-578	EK582
	for 510C model	319143-579	EK583
702	Remote fixing plate for 510C	319143-484	EK152
703	Surge box	320273-128	EK280
704	120 VAC wire	319143-427	EK146
705	Switch wire	N/A	EK584
706	120 VAC Power ON-OFF switch	N/A	EK590
707	Remote controller wire for 110C and 310C models	319143-490	EK189
	for 510C model	319143-491	EK165
708	Gas valve wire	N/A	EK585
709	Flame rod wire	N/A	EK586
710	Cable strap	319143-425	EW022
711	Igniter assembly	319143-479	EK153
712	Computer board cover	319143-274	EM329
713	24V cables for 510C model	N/A	EK587
714	Proportional gas valve wire	319143-481	EK112
721	Temperature controller	319143-502	EK173
722	Controller fixing plate	N/A	EK588
N/A *	Communication cable	320273-585	EKK0J

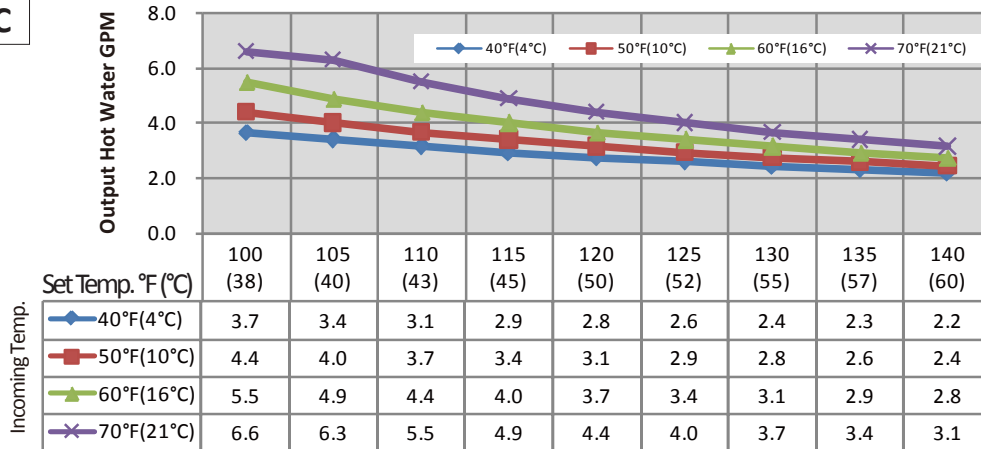
*Refer to p. 9.

OUTPUT TEMPERATURE CHART

Chart is based on properly sized gas line

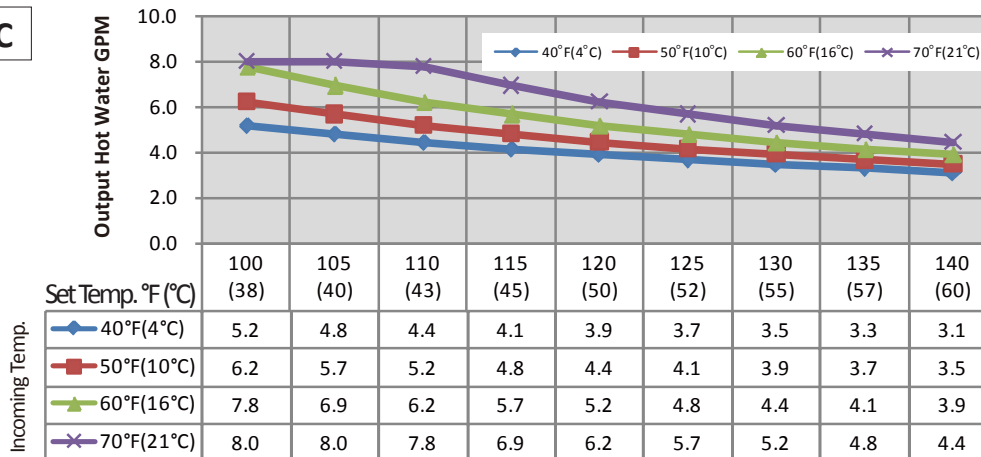
Output Temperature vs. GPM (Max. 6.6 GPM) with Various Inlet Water Temperature

110C



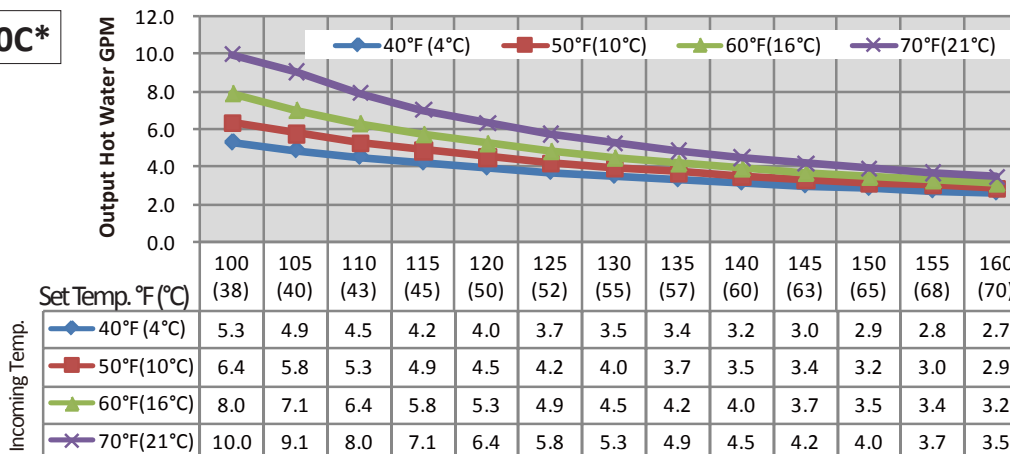
Output Temperature vs. GPM (Max. 8.0 GPM) with Various Inlet Water Temperature

310C



Output Temperature vs. GPM (Max. 10.0 GPM) with Various Inlet Water Temperature

510C*



*When the set temperature is 130 °F (55 °C) or higher, maximum flow rate is limited to 8.0 GPM.

LIMITED WARRANTY

- The manufacturer warrants this product against defects in materials or workmanship as described in this document if installed within the United States or Canada. The manufacturer or its authorized Service Representative will, at its sole discretion, repair or replace any failed or defective mechanical or electrical parts, or components thereof, or, if the manufacturer or its authorized Service Representative cannot replace said parts, and repair is not commercially practicable, the manufacturer or its authorized Service Representative will refund the purchase price. The manufacturer or its authorized Service Representative may, at its sole discretion, use new, refurbished or reconditioned parts.

- Warranty for all models: [Unit: Year]

Application Type	Heat Exchanger	Parts	Labor ⁽¹⁾
Single Family Domestic Hot Water	15 ⁽²⁾⁽³⁾	5	1
Commercial or Multi-Family Domestic Hot Water	10 ⁽²⁾⁽³⁾		
Heating	10 ⁽³⁾⁽⁴⁾		

(1) Limited Labor Coverage

- The manufacturer will provide for reasonable labor charges associated with warranty repairs or replacements within one (1) year from the date of purchase. The manufacturer will only pay directly to the service provider.
- Warranty service must be performed by an authorized Service Representative. A list of authorized Service Representatives is available upon request.
- All warranty claims and warranty service must be authorized and approved by the manufacturer.

(2) Includes recirculation and storage tank applications with proper circulation pump control (e.g. aquastat and/or timer).

- Lack of a proper pump control will reduce the heat exchanger and parts warranty to 3 years.

(3) In all applications, the total of length of operation time must be less than 3,000 hours for the 110C (AT-KJr3U-CV) and 310C (AT-K5U-CV) models, and less than 9,000 hours for the 510C (AT-D3U-CV) model.

(4) Includes dual-purpose applications (combination heating and domestic)

- General terms of limited warranty:

This limited warranty gives you specific legal rights, and you may also have other rights which vary from State to State. The manufacturer will honor the warranty to the original retail buyer at the original location only, within the United States or Canada, and it is not transferable.

THIS WARRANTY COVERS ONLY FAILED MECHANICAL AND ELECTRICAL PARTS DUE TO FACTORY DEFECTS UNDER NORMAL USAGE FOR THE PRODUCT'S INTENDED PURPOSES AND WITHIN THE APPLICABLE PERIOD SPECIFIED IN THE TABLE ABOVE. ONLY DIRECT DAMAGES SHALL BE RECOVERABLE BY A CLAIMANT UNDER THIS LIMITED WARRANTY AND, IN NO EVENT, WHETHER AS A RESULT OF BREACH OF CONTRACT, BREACH OF WARRANTY, TORT LIABILITY (INCLUDING NEGLIGENCE), STRICT LIABILITY, INDEMNITY OR OTHERWISE WILL BE LIABLE FOR ANY SPECIAL, INCIDENTAL, OR INDIRECT CONSEQUENTIAL DAMAGES INCLUDING PROPERTY DAMAGE, PERSONAL DAMAGES, LOSS OF USE, OR INCONVENIENCE. SOME STATES DO NOT ALLOW THE EXCLUSION OR LIMITATION OF INCIDENTAL OR CONSEQUENTIAL DAMAGES, SO THE ABOVE LIMITATION MAY NOT APPLY TO YOU.

- Limitation on Duration of Implied Warranties:

ANY IMPLIED WARRANTIES ARISING UNDER STATE LAW, INCLUDING THE IMPLIED WARRANTIES OF FITNESS FOR A PARTICULAR PURPOSE AND MERCHANTABILITY, SHALL IN NO EVENT EXTEND PAST THE EXPIRATION OF ANY WARRANTY PERIOD HEREUNDER. SOME STATES DO NOT ALLOW LIMITATIONS ON HOW LONG AN IMPLIED WARRANTY LASTS, SO THE ABOVE LIMITATION MAY NOT APPLY TO YOU.

- THIS WARRANTY WILL NOT COVER THE FOLLOWING:

- Any product that is not installed by a licensed plumber, gas installer, or contractor.
- Damages due to accidents, abuse, misuse, improper installation, misapplication, or incorrect sizing.
- Damages due to fires, flooding, freezing, electrical surges, or any Acts of God.
- Damages due to unauthorized alterations, attachments, and/or repairs.
- Damages due to a lack of maintenance (e.g. water filter, water treatment system, vent blockage, etc.).
- Any product installed in an improper environment (e.g. corrosive, dusty, chemically contaminated, excessive lint, etc.).

- Freeze damage that occurs without taking proper preventive measures as described in the installation manual.
- Condensate damage due to improperly installed or lack of a condensate trap (drain).
- Any product not installed in compliance with all applicable local & provincial codes, ordinances, and good trade practices.
- Any product sold to or installed in areas outside of the fifty states (and the District of Columbia) of the United States of America and Canada.
- Any product installed in applications that cause the water heater to activate more than 300 times per day. (This averages to an activation every 5 minutes in a 24-hour period.)
- Any failures that are not due to defects in materials or workmanship (mechanical and/or electrical parts).
- Damages due to improper installation:
 - Gas: incorrect gas pipe sizing, incorrect gas meter sizing, incorrect gas type, and/or gas pressures that fall outside the product's specified range.
 - Water: incorrect water pipe sizing, water pressures that fall outside the product's specified range, recirculation flow rates that fall outside the product's specified range (air removal), and/or lack of proper methods of air removal in a closed-loop, circulation system. (See installation manual for details.)
 - Electric: supply power voltages that fall outside the product's specified range.
- Damages due to water quality:
 - Introduction of liquids other than potable water into the product.
 - Introduction of pool water, spa water, or any chemically treated water into the product.
 - Introduction of hard water measuring more than 7 grains per gallon (120 ppm) for single family domestic applications or more than 4 grains per gallon (70 ppm) for all other types of applications into the product.
 - Introduction of untreated or poorly treated well water into the product.
 - Introduction of water with pH levels less than 6.5 and greater than 8.5 into the product.